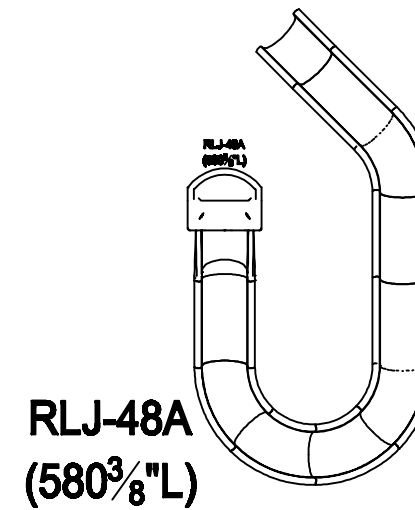
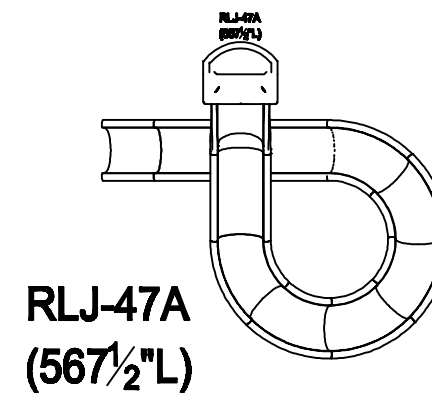
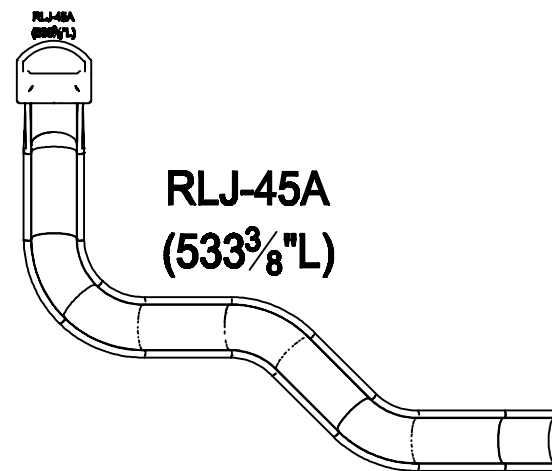
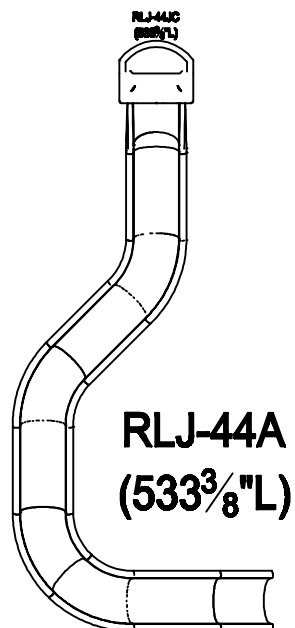
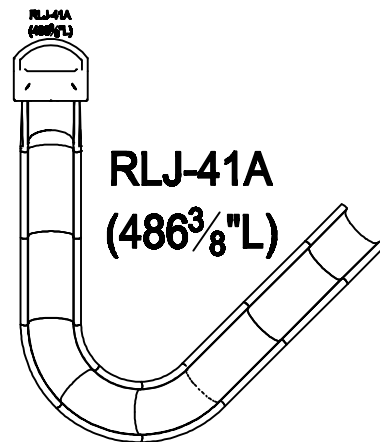
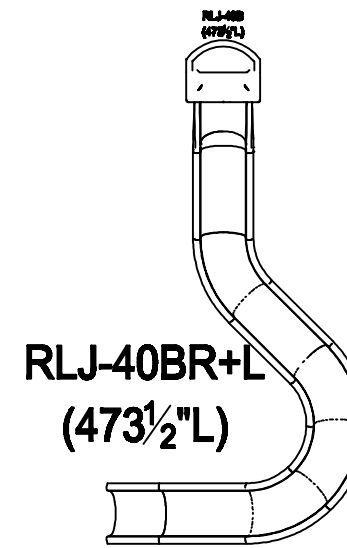
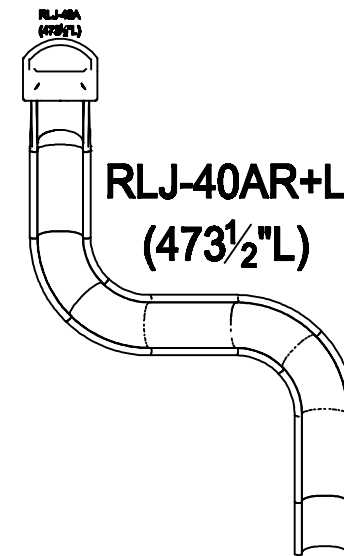
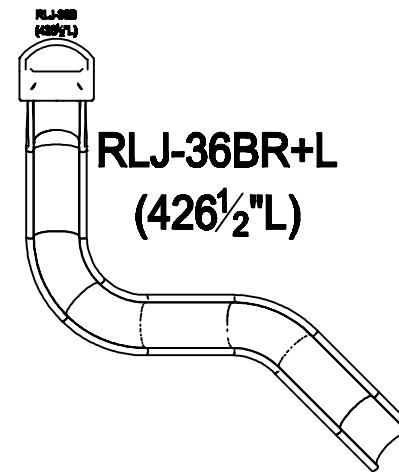
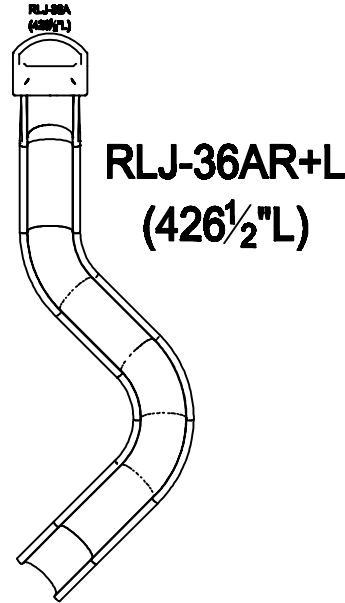
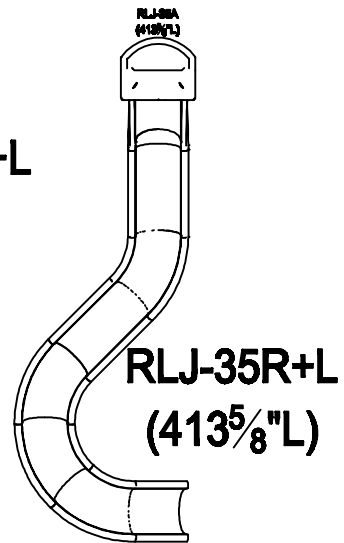
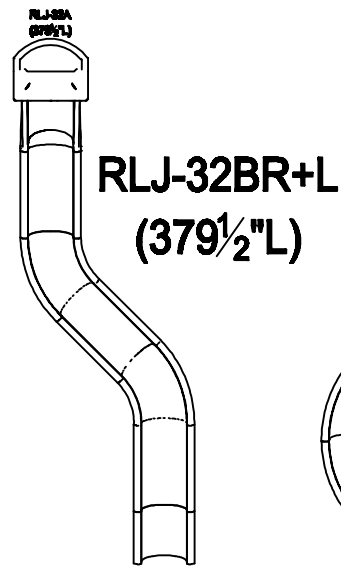
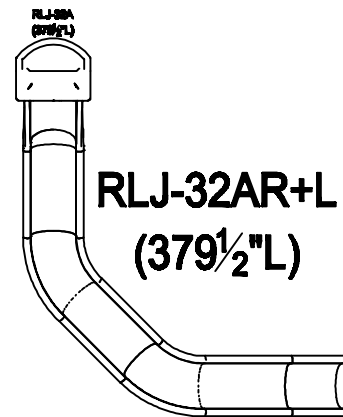
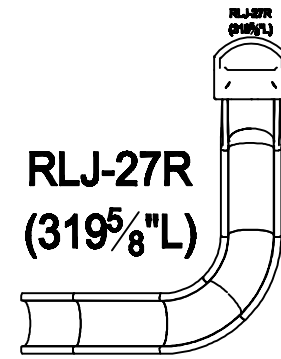
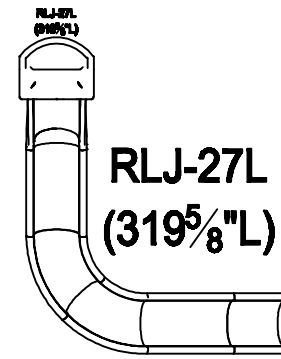
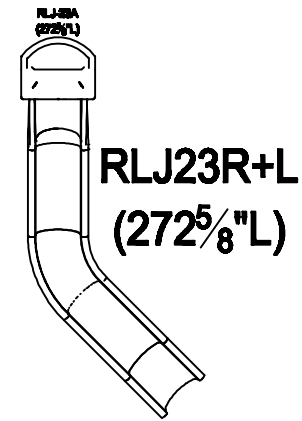
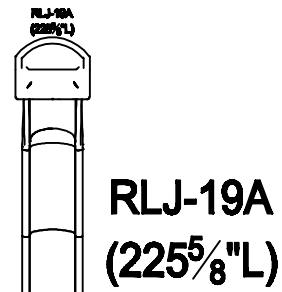
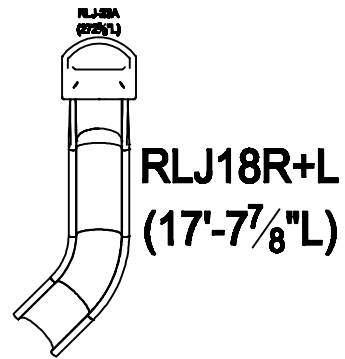
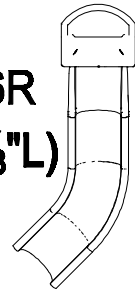
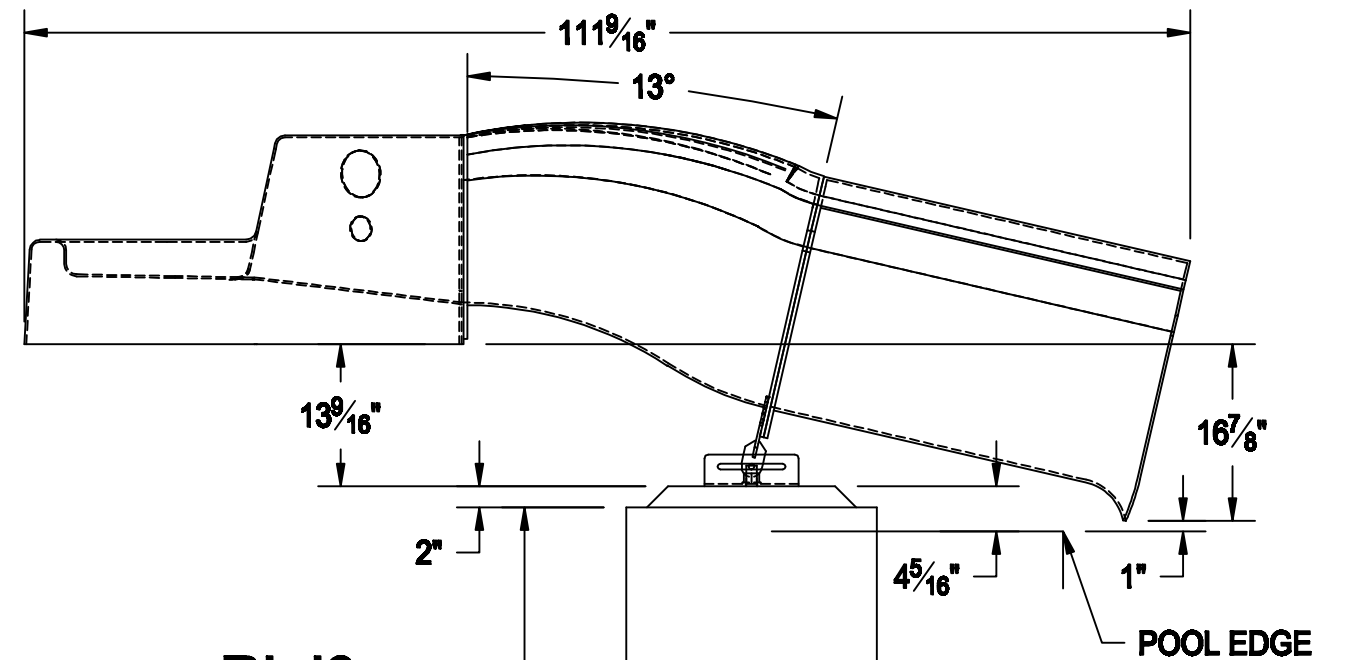
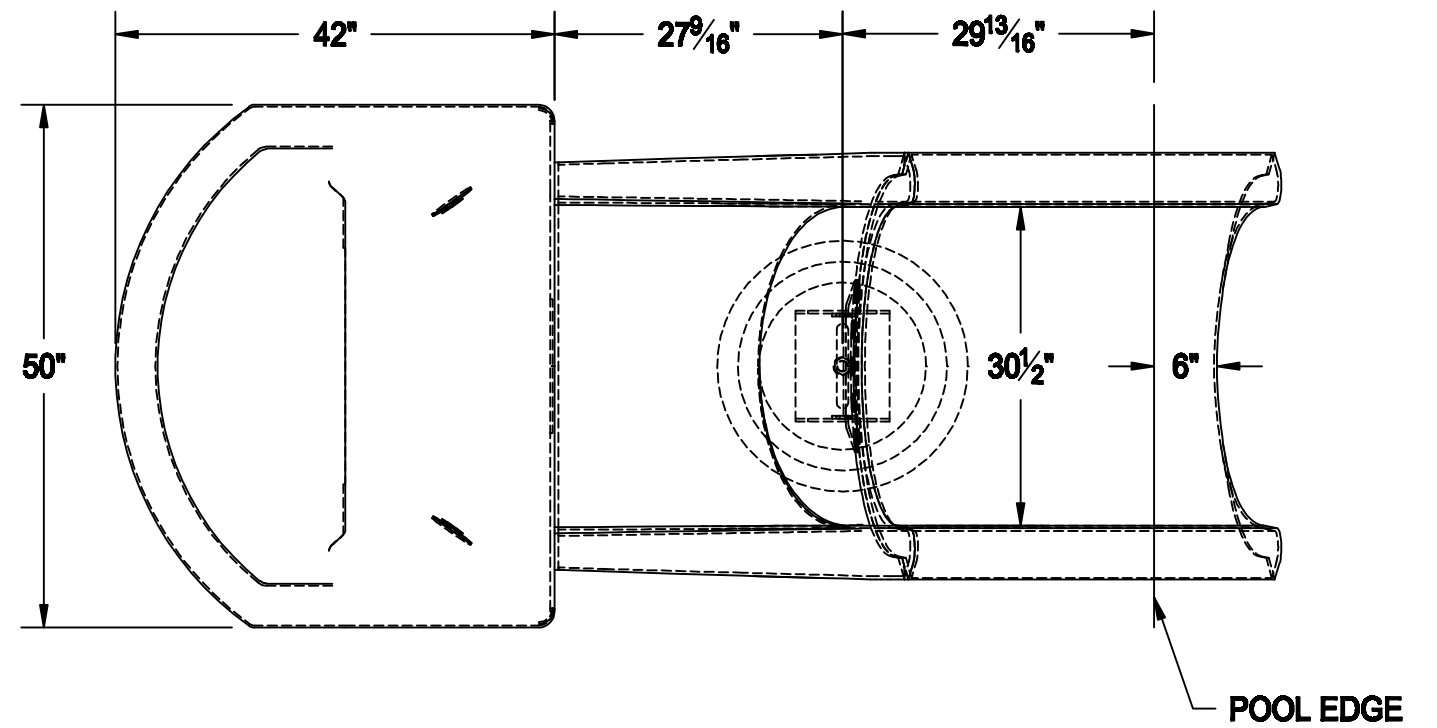
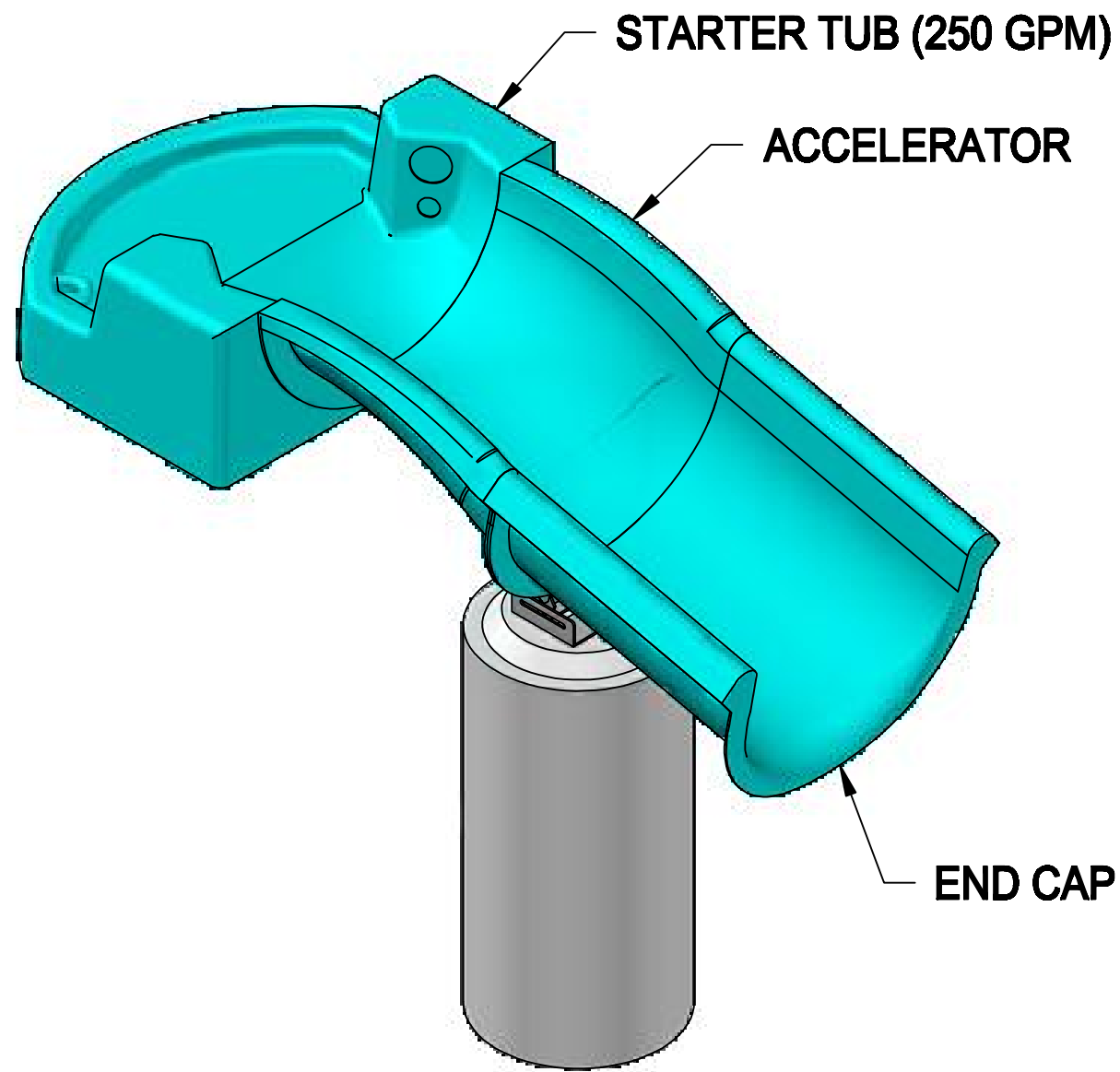
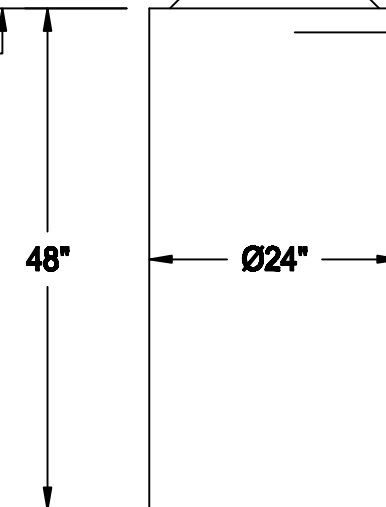


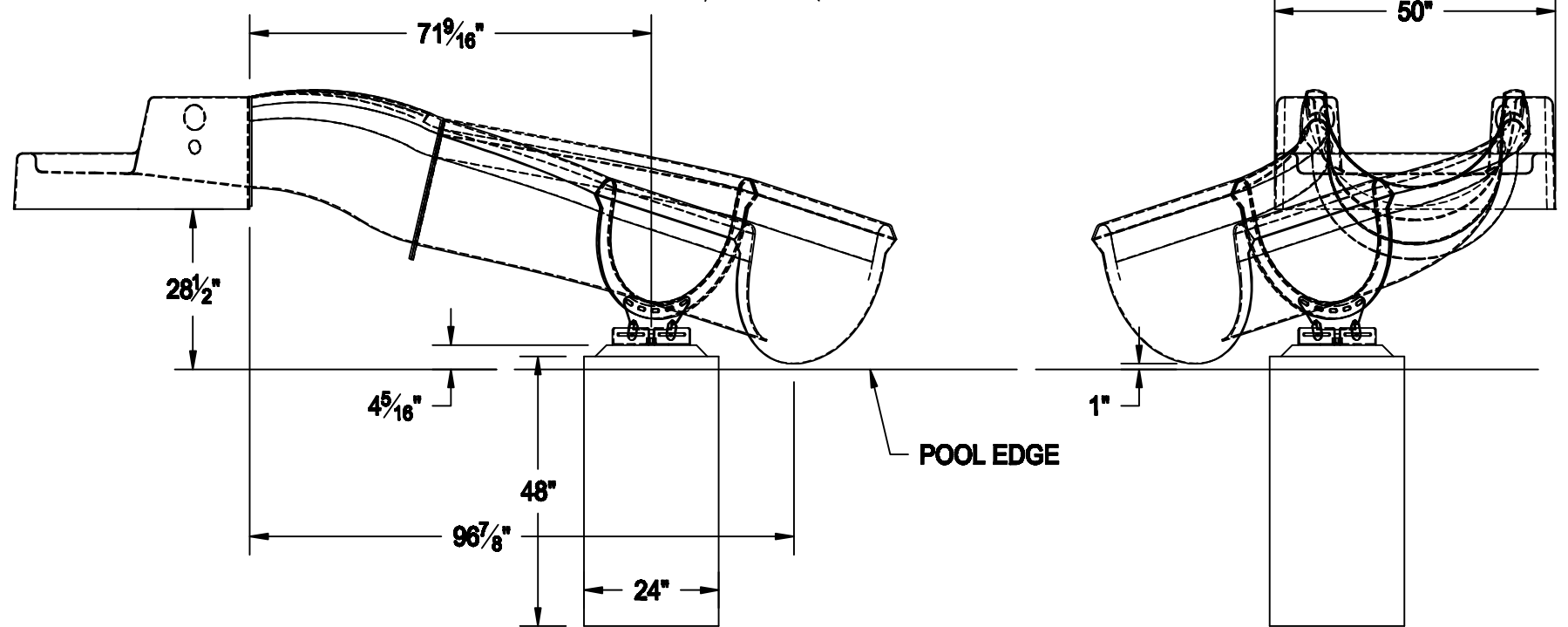
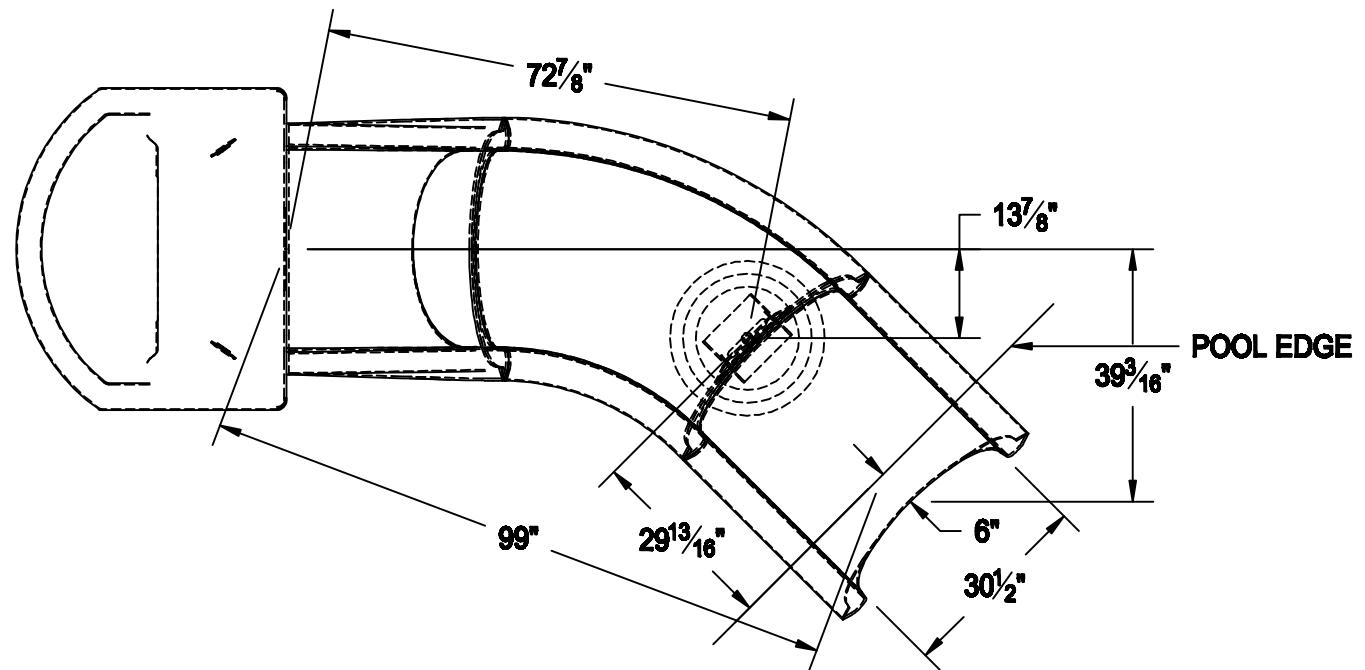
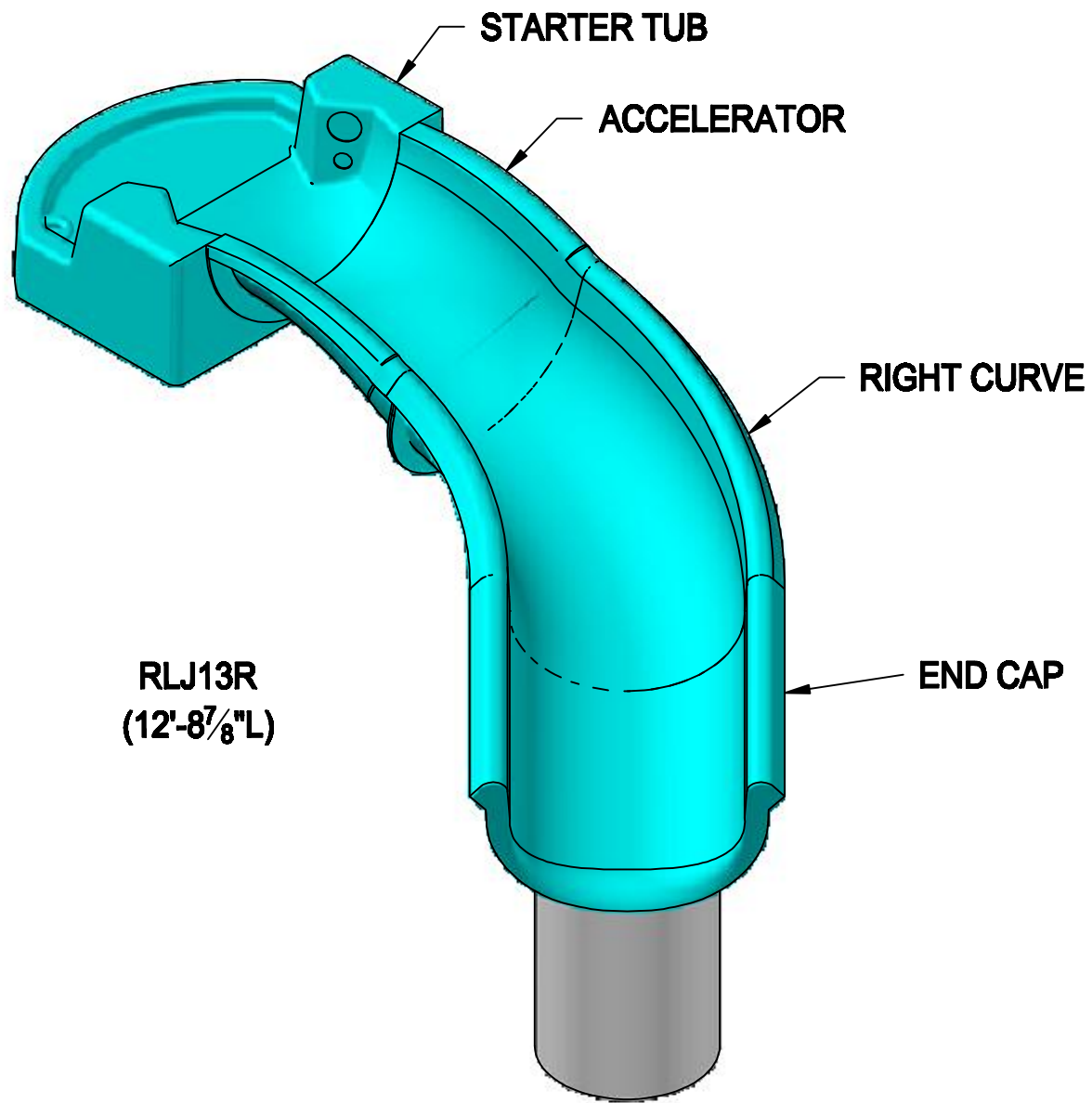
RLJ16R
(15'-7 7/8"L)

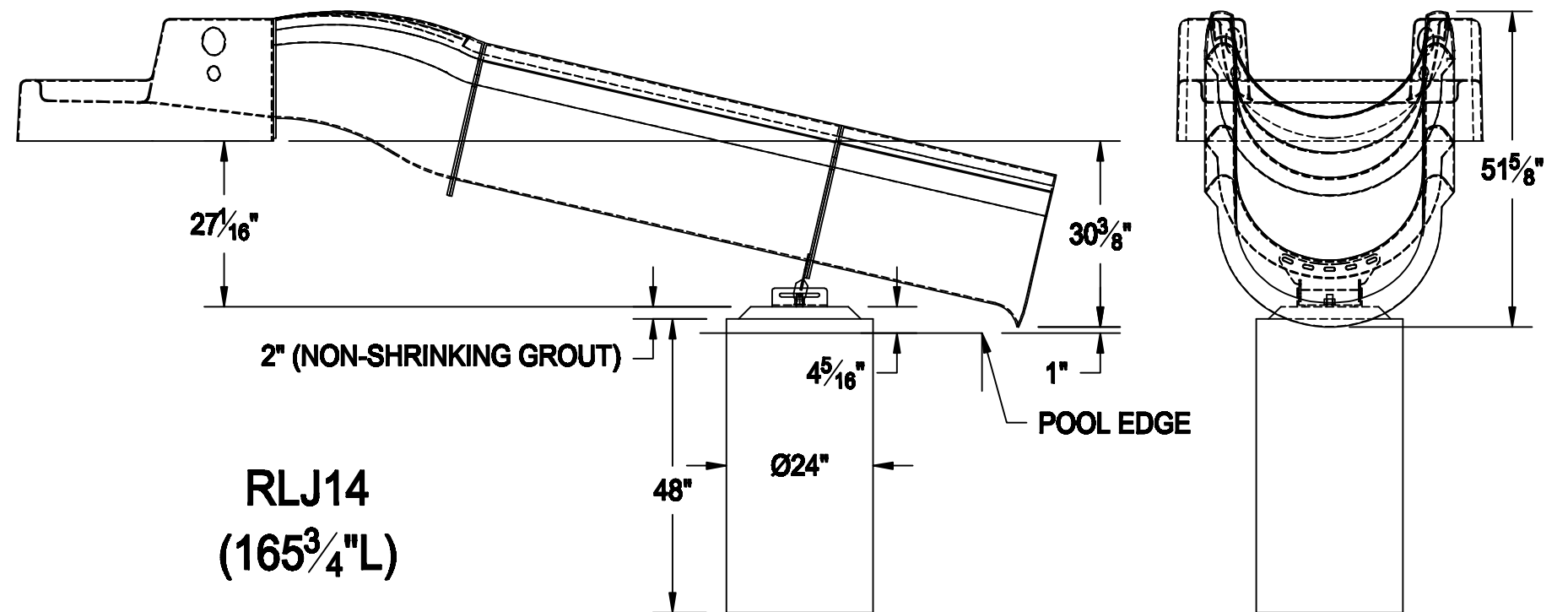
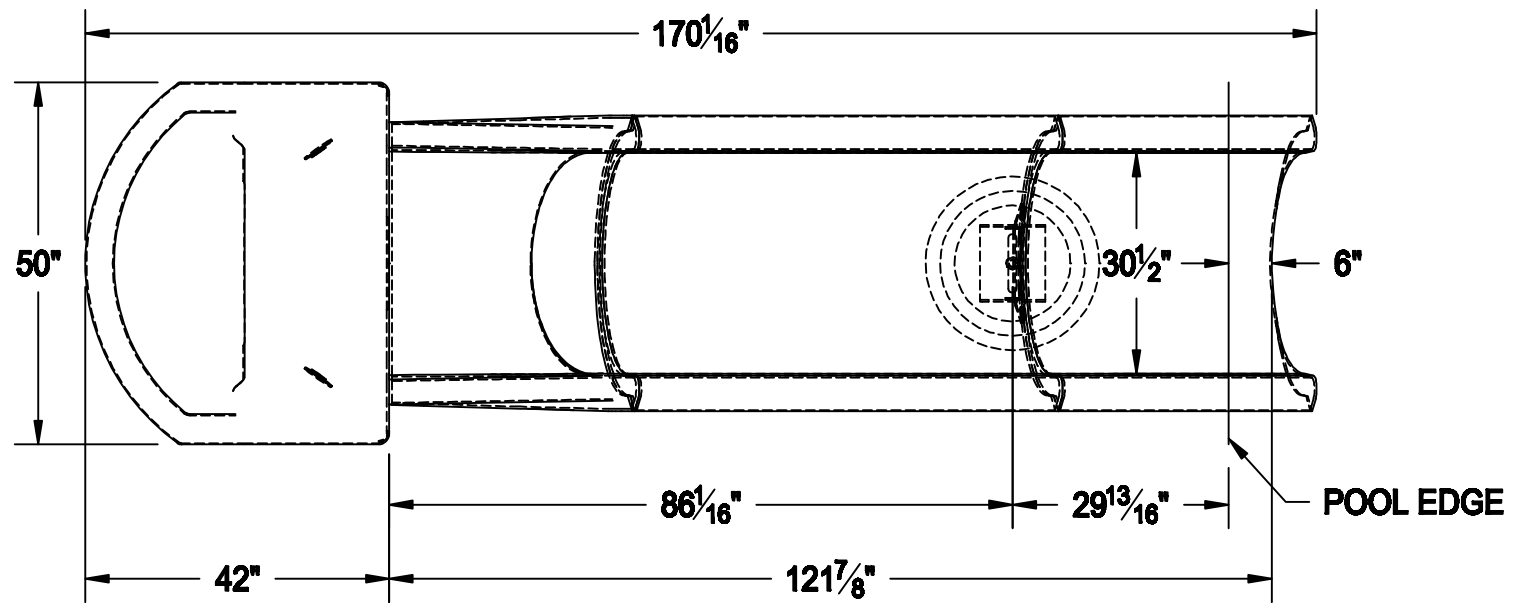
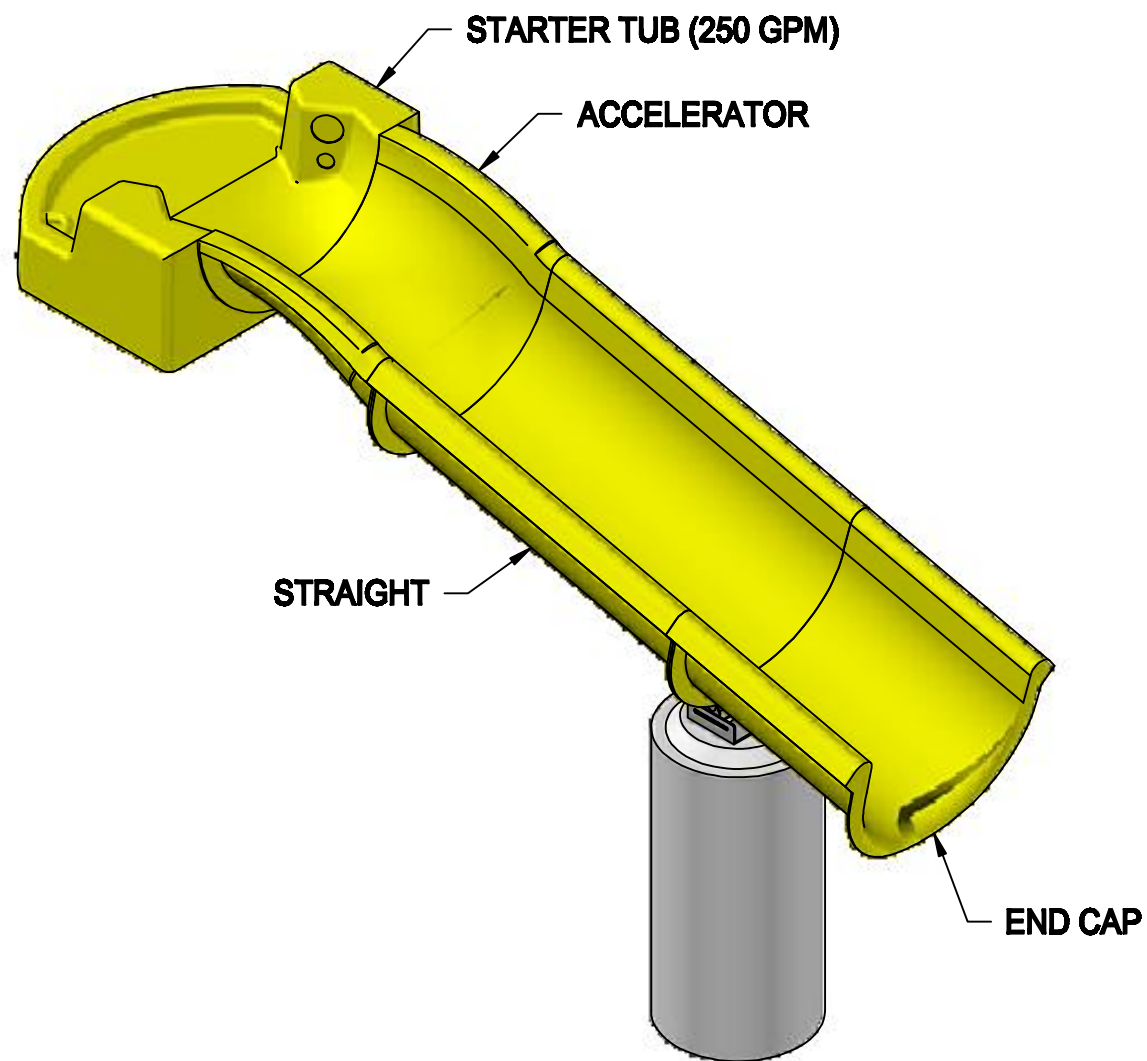


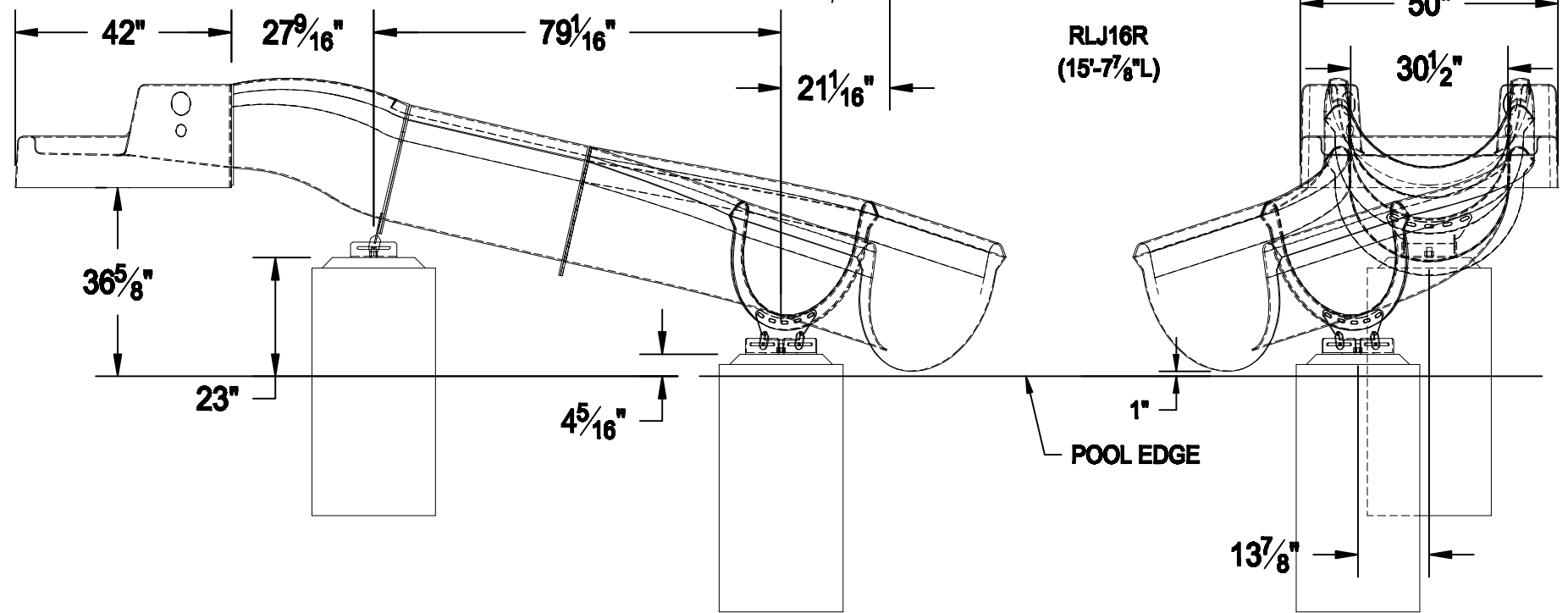
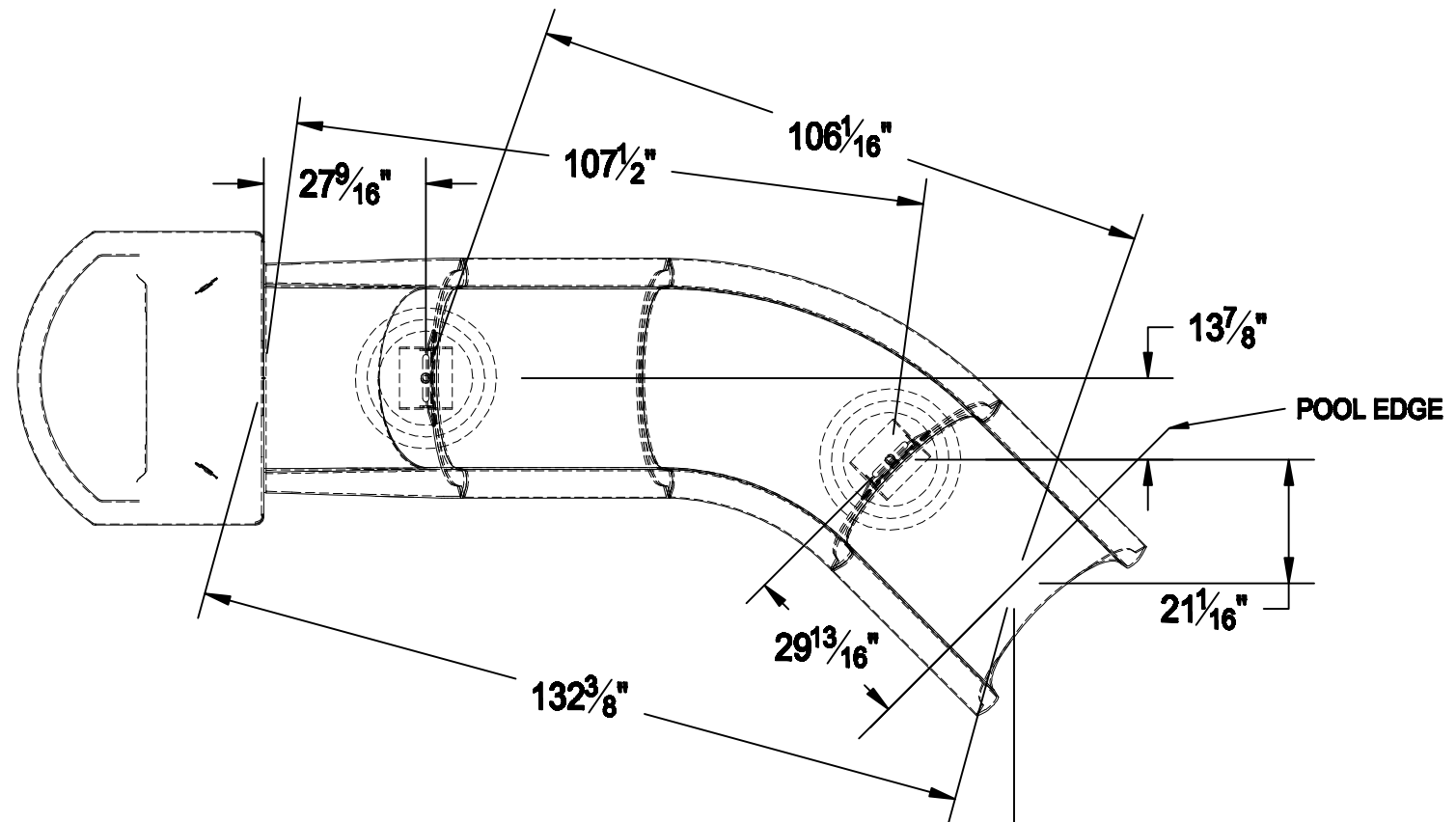
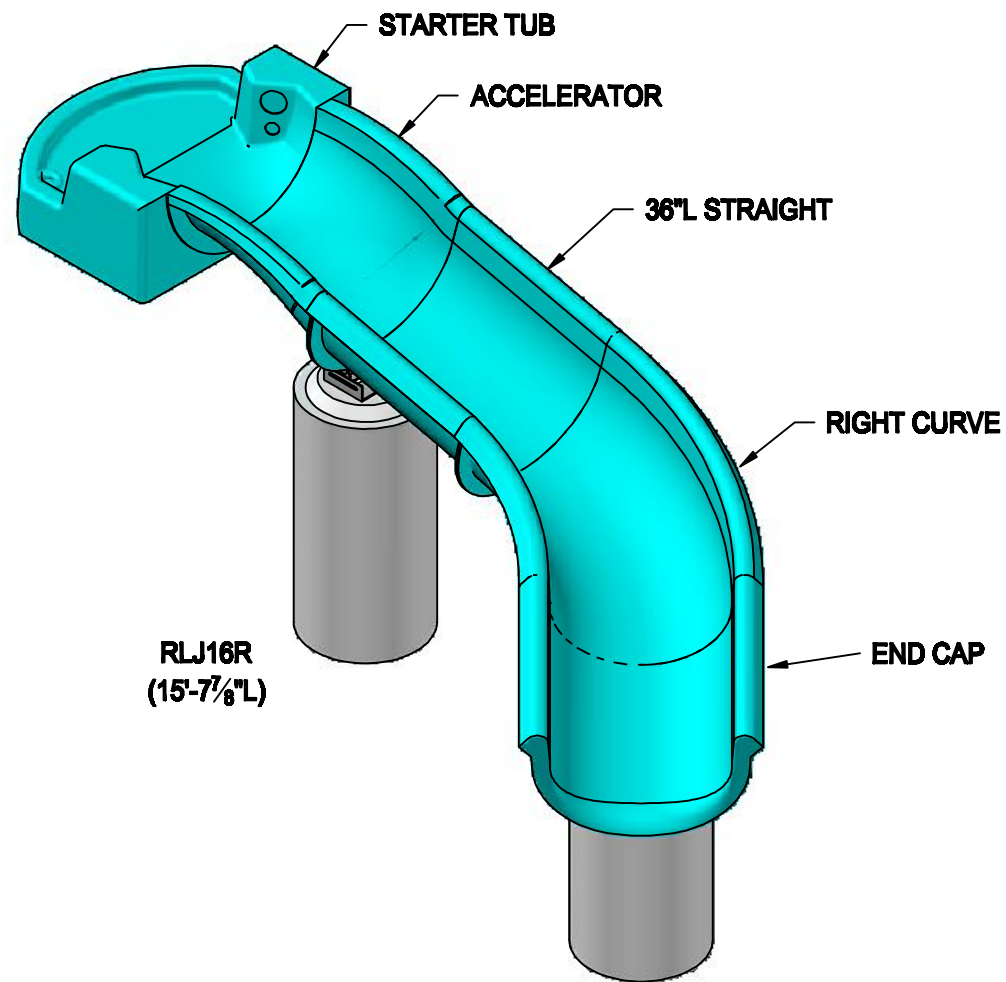


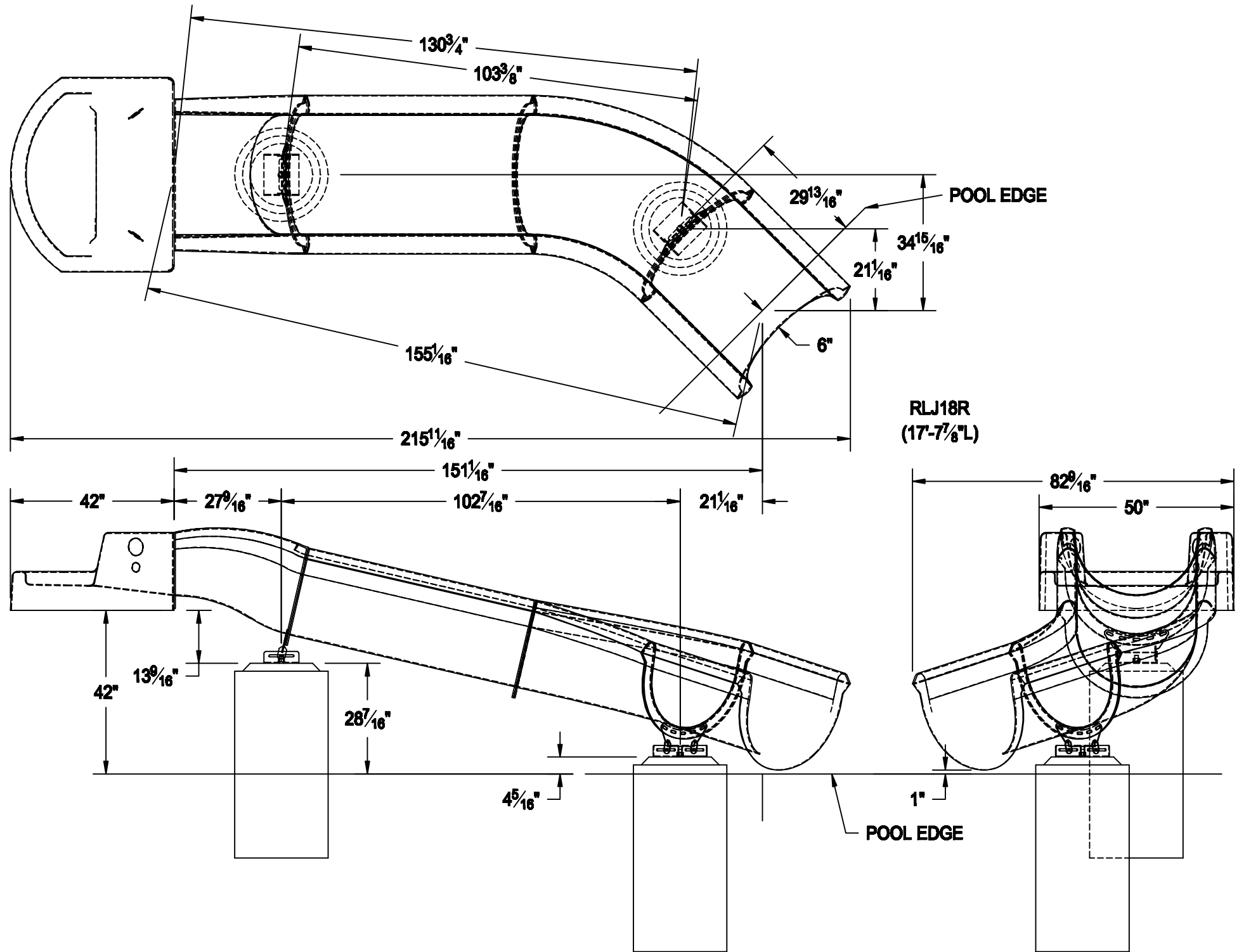
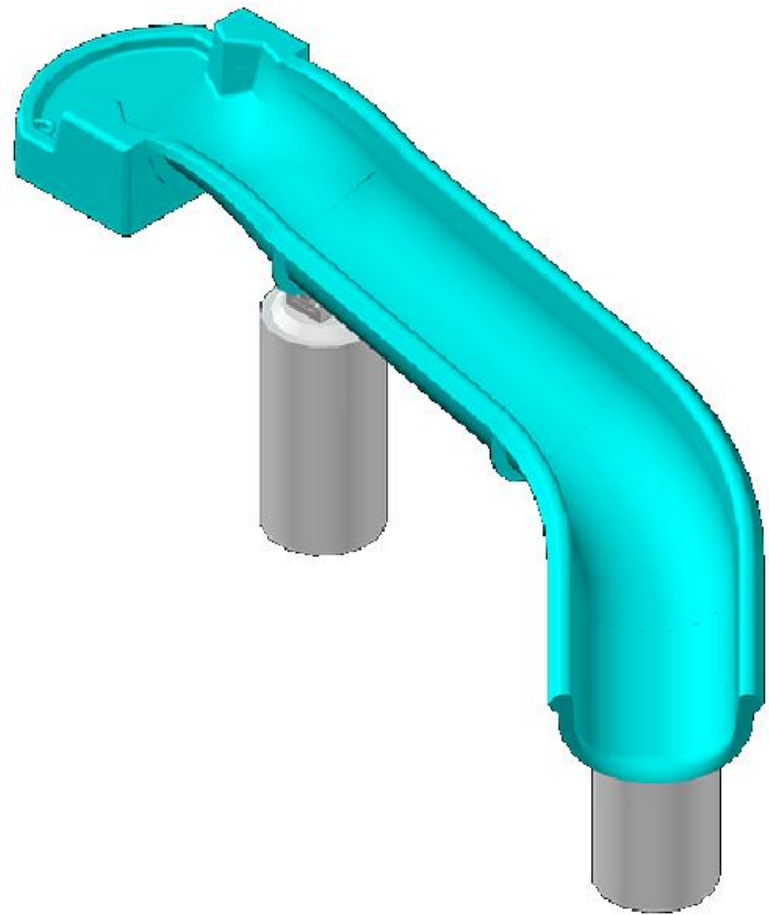
RLJ9
(106"L)

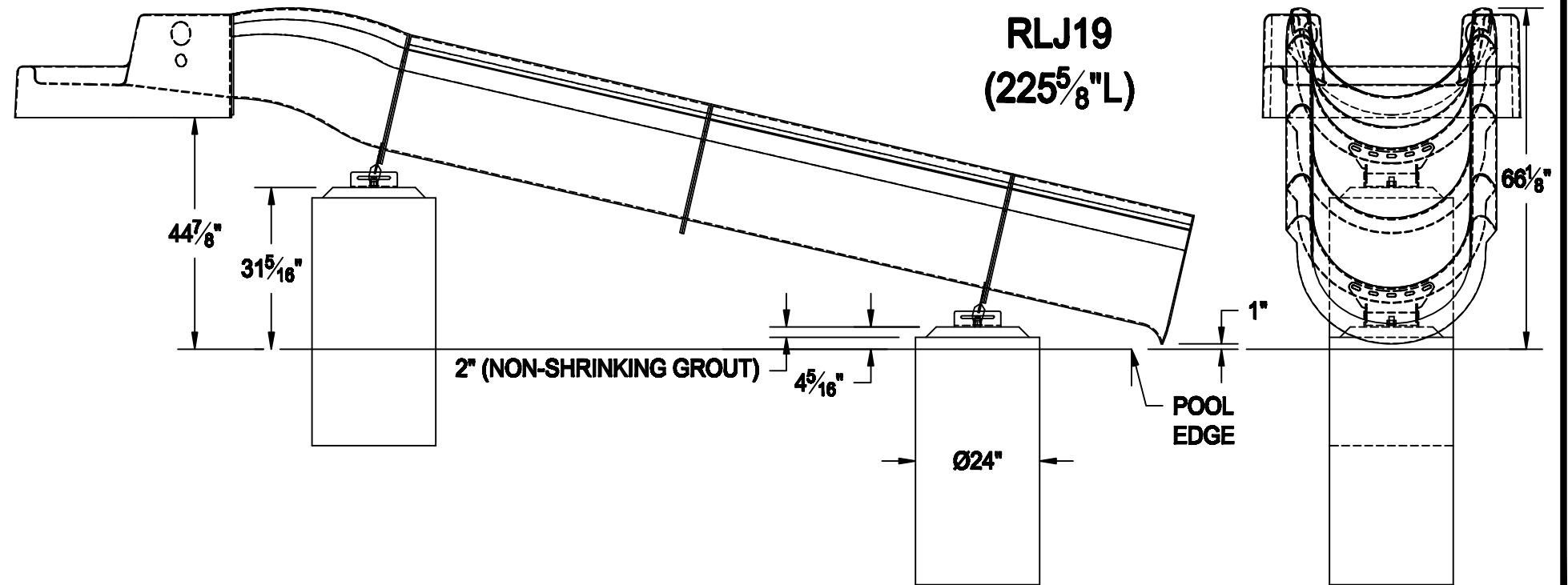
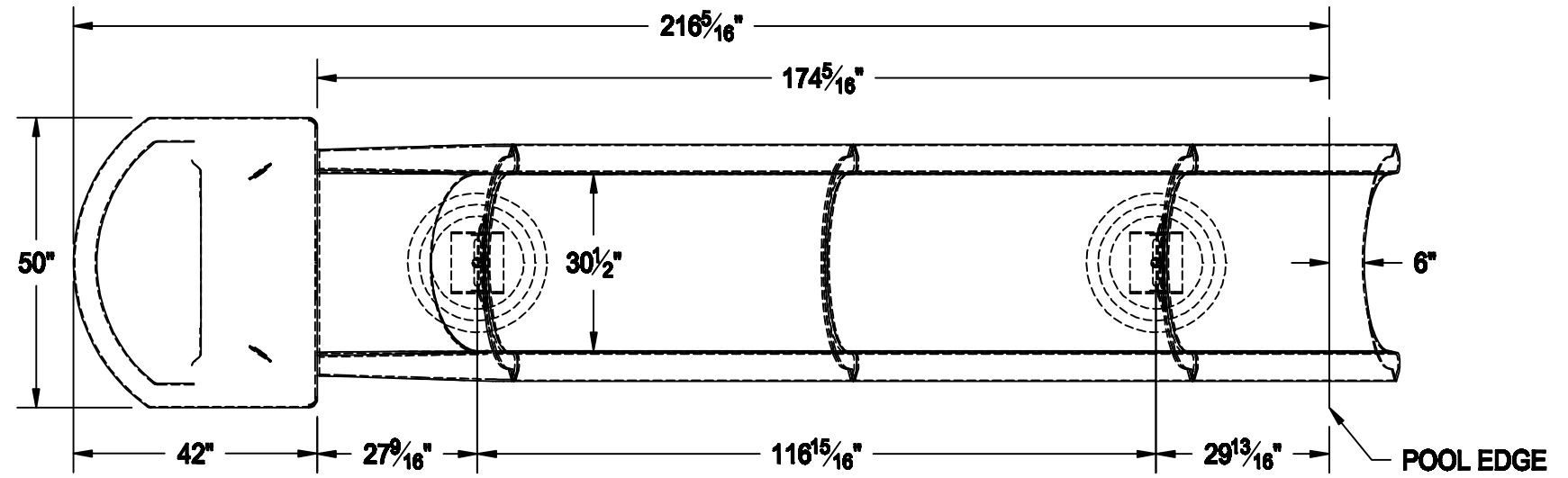
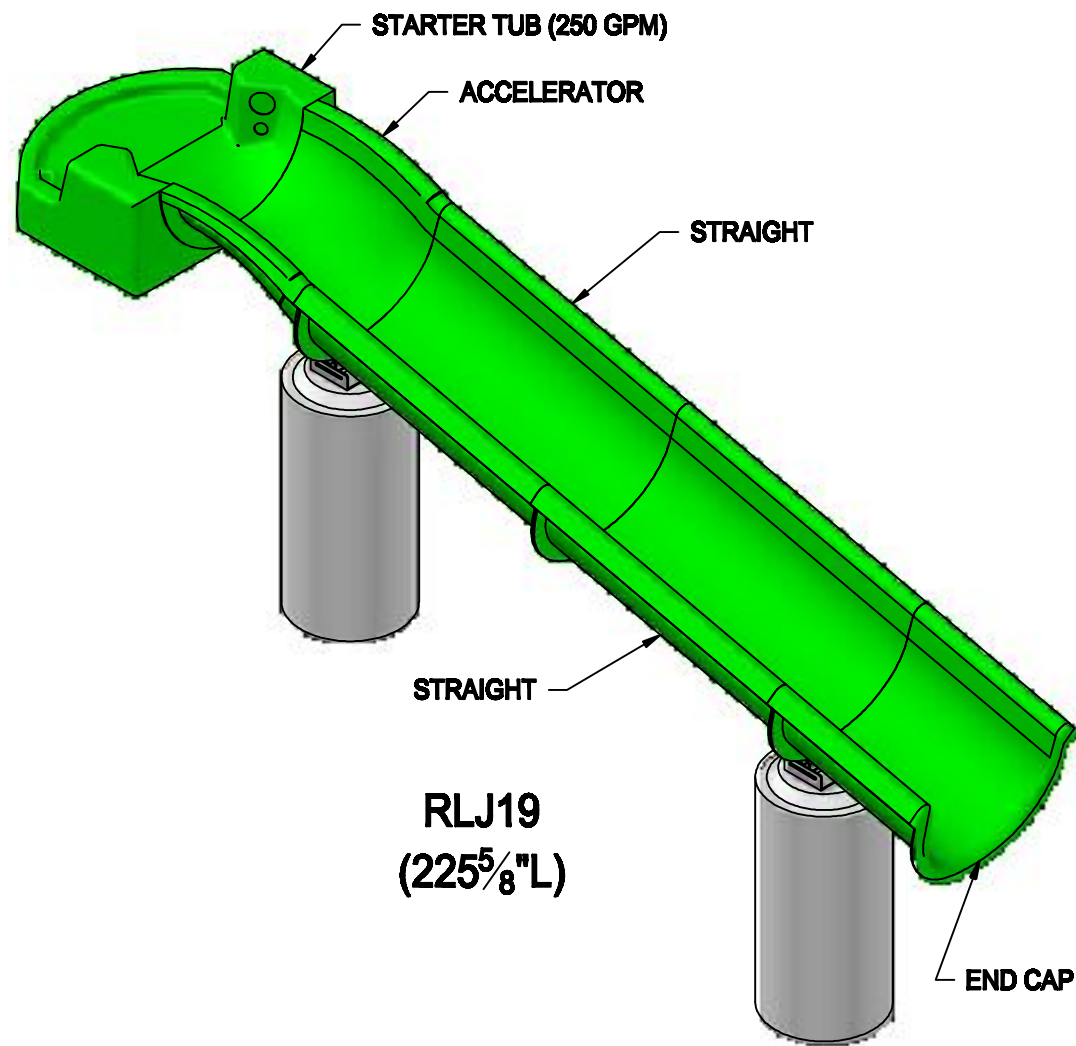


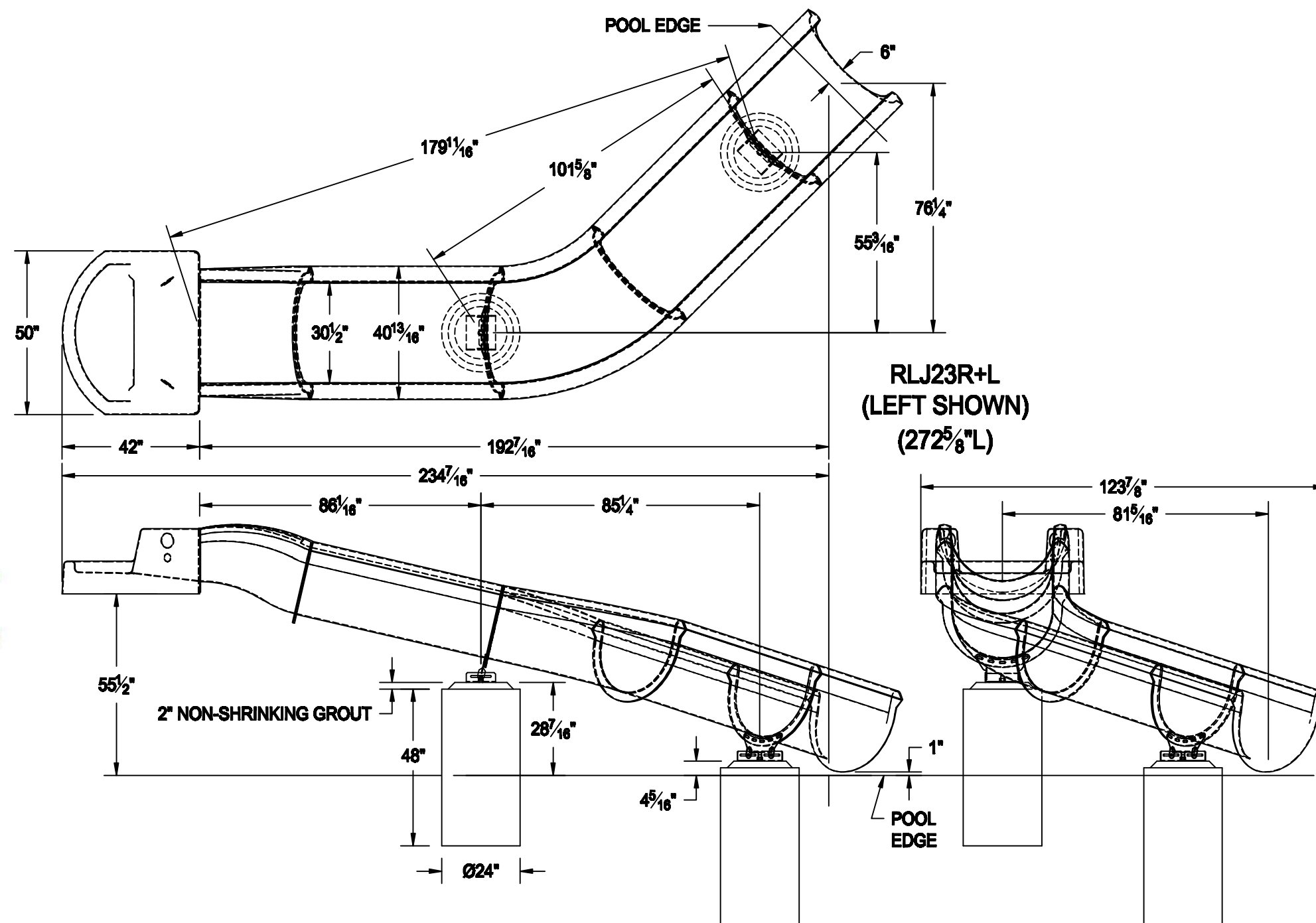
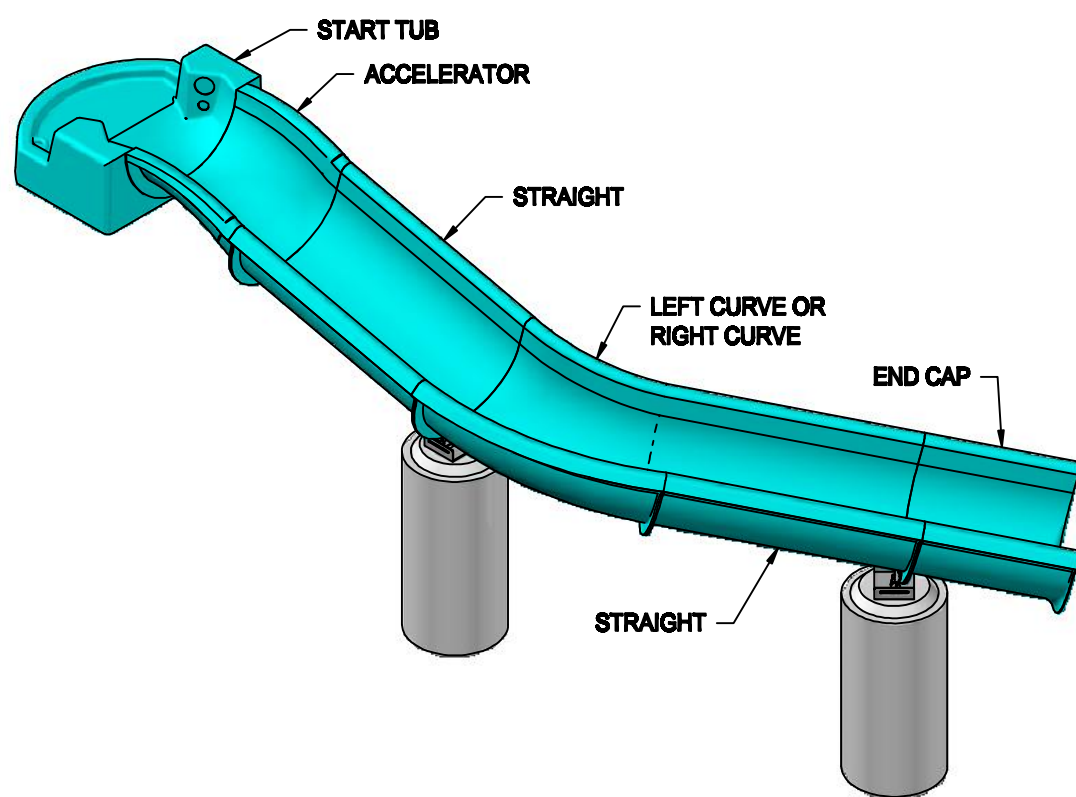


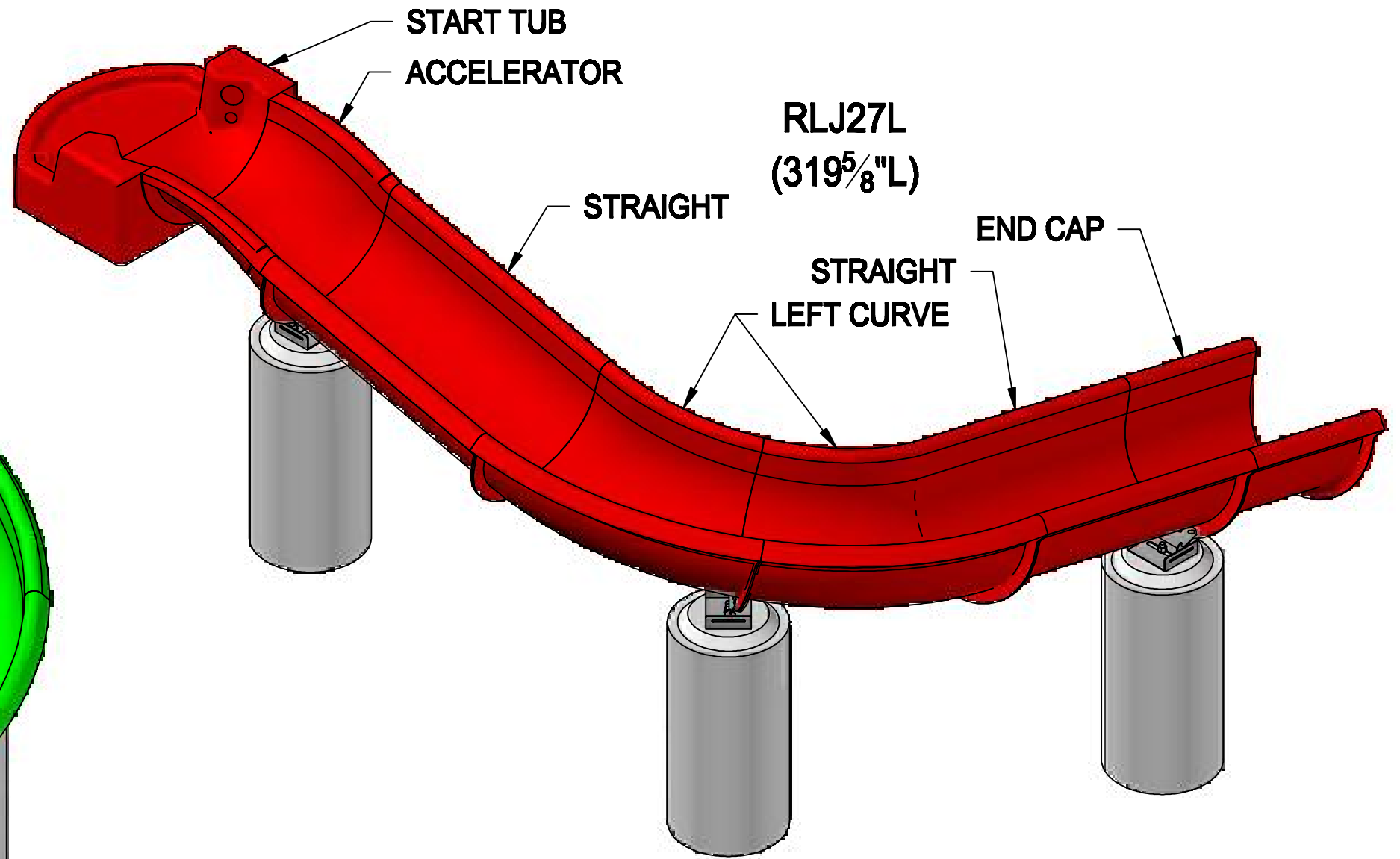
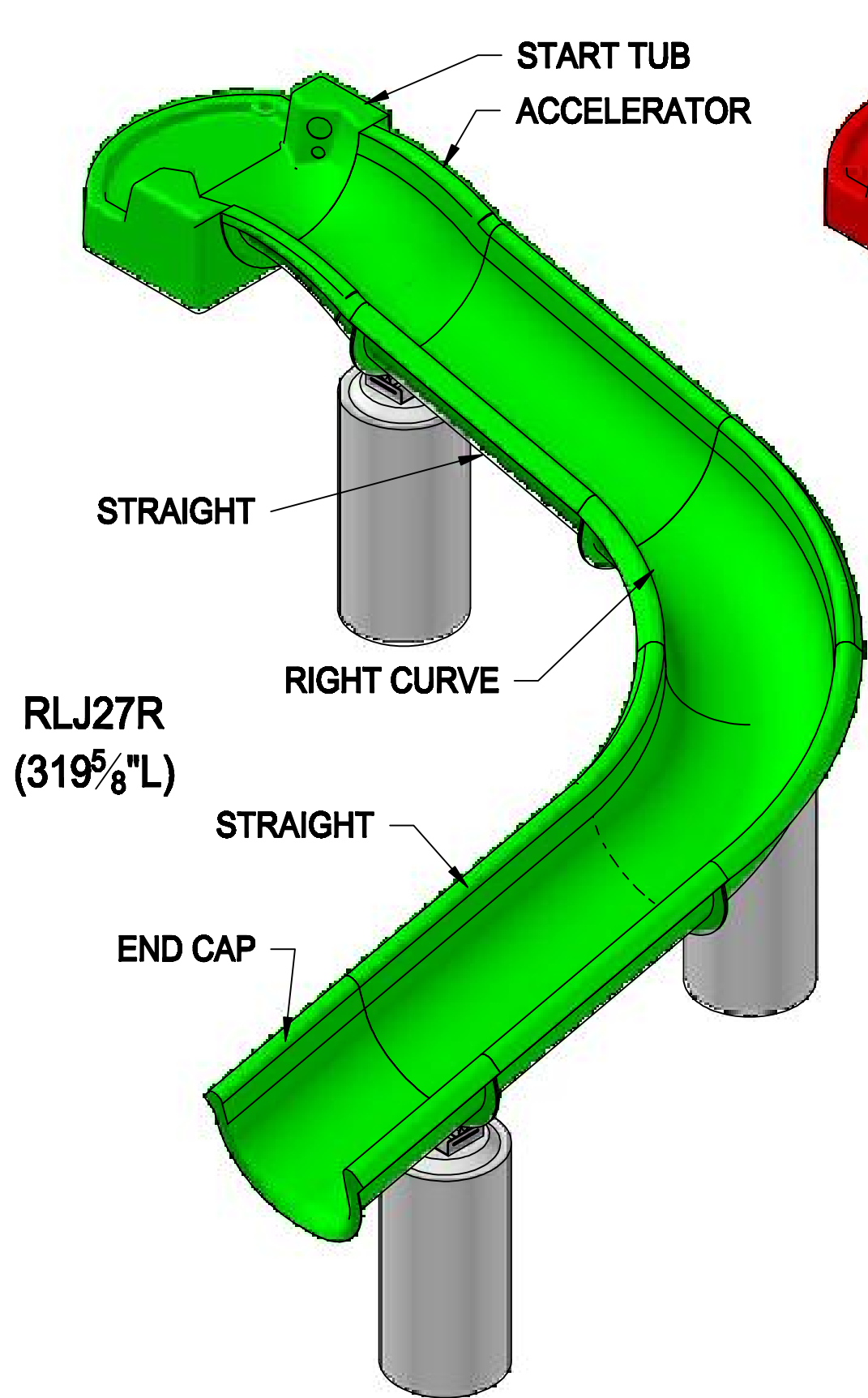


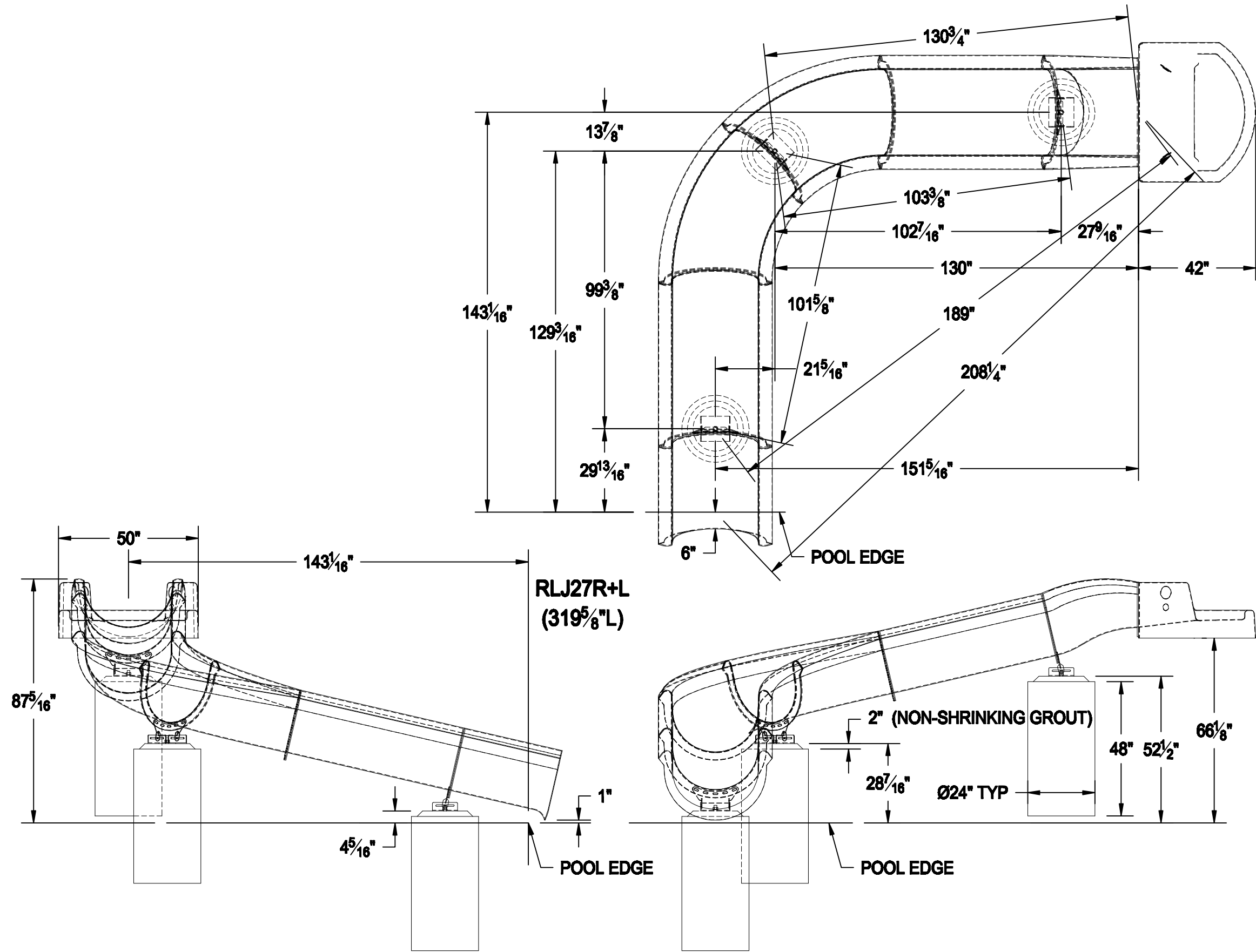


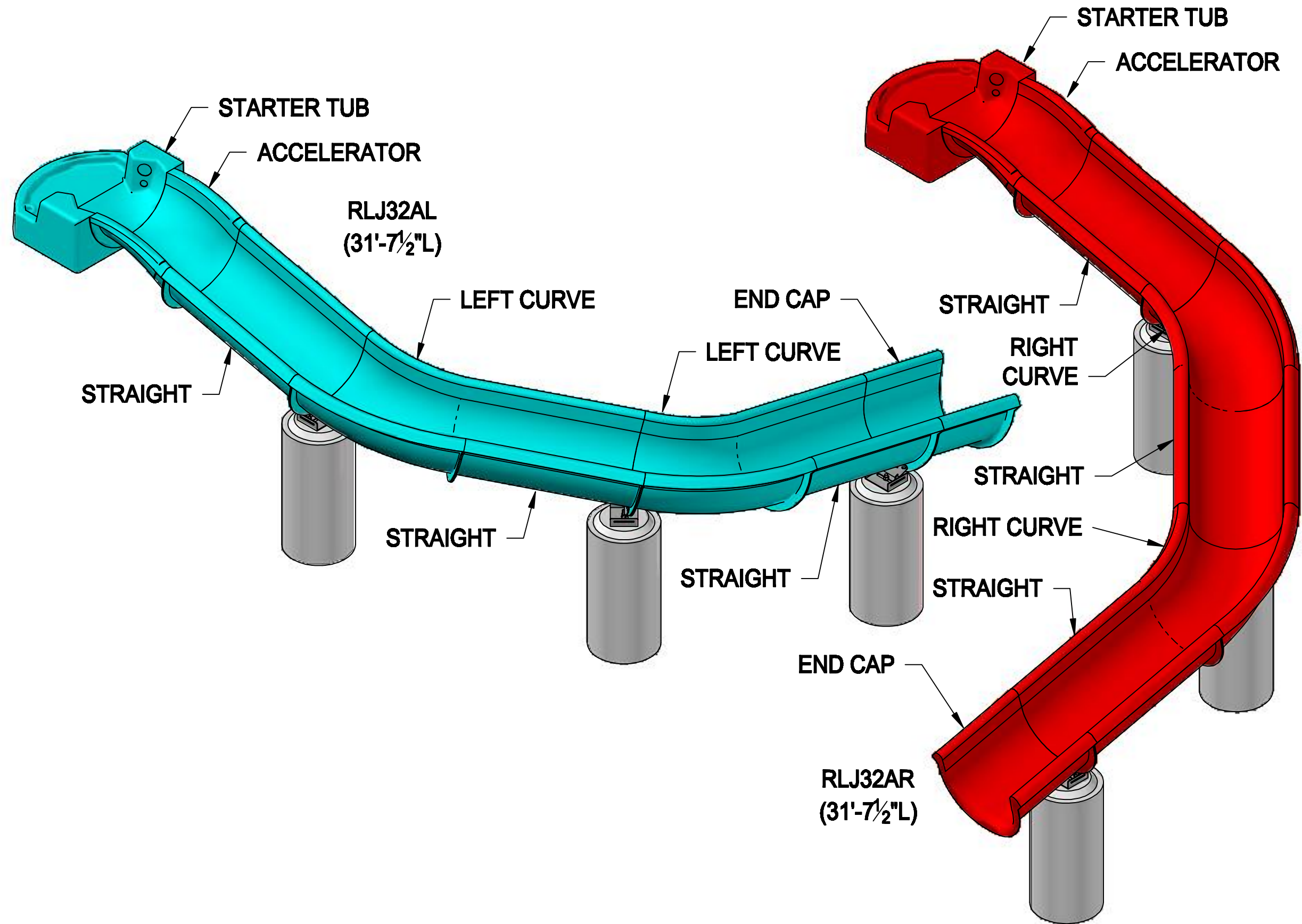


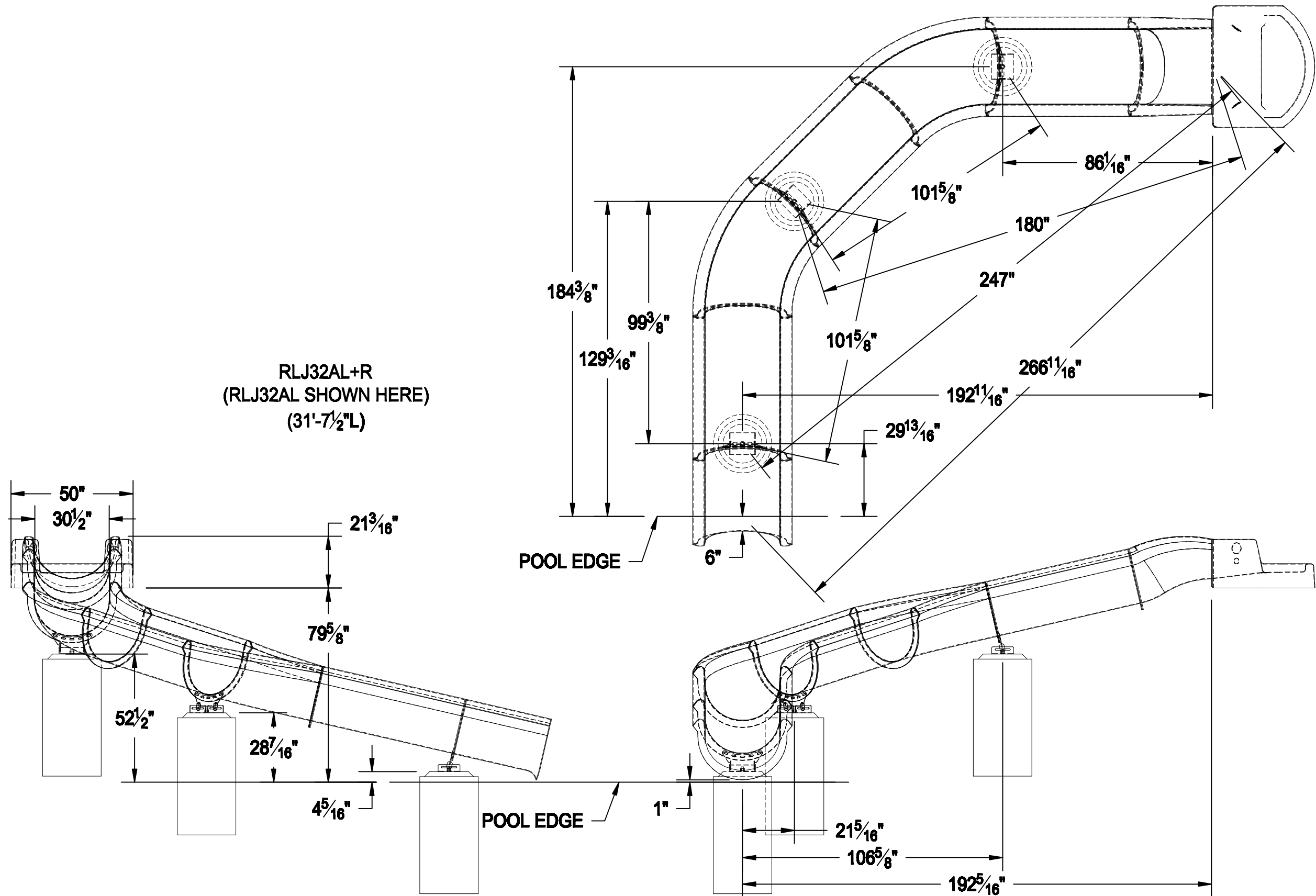


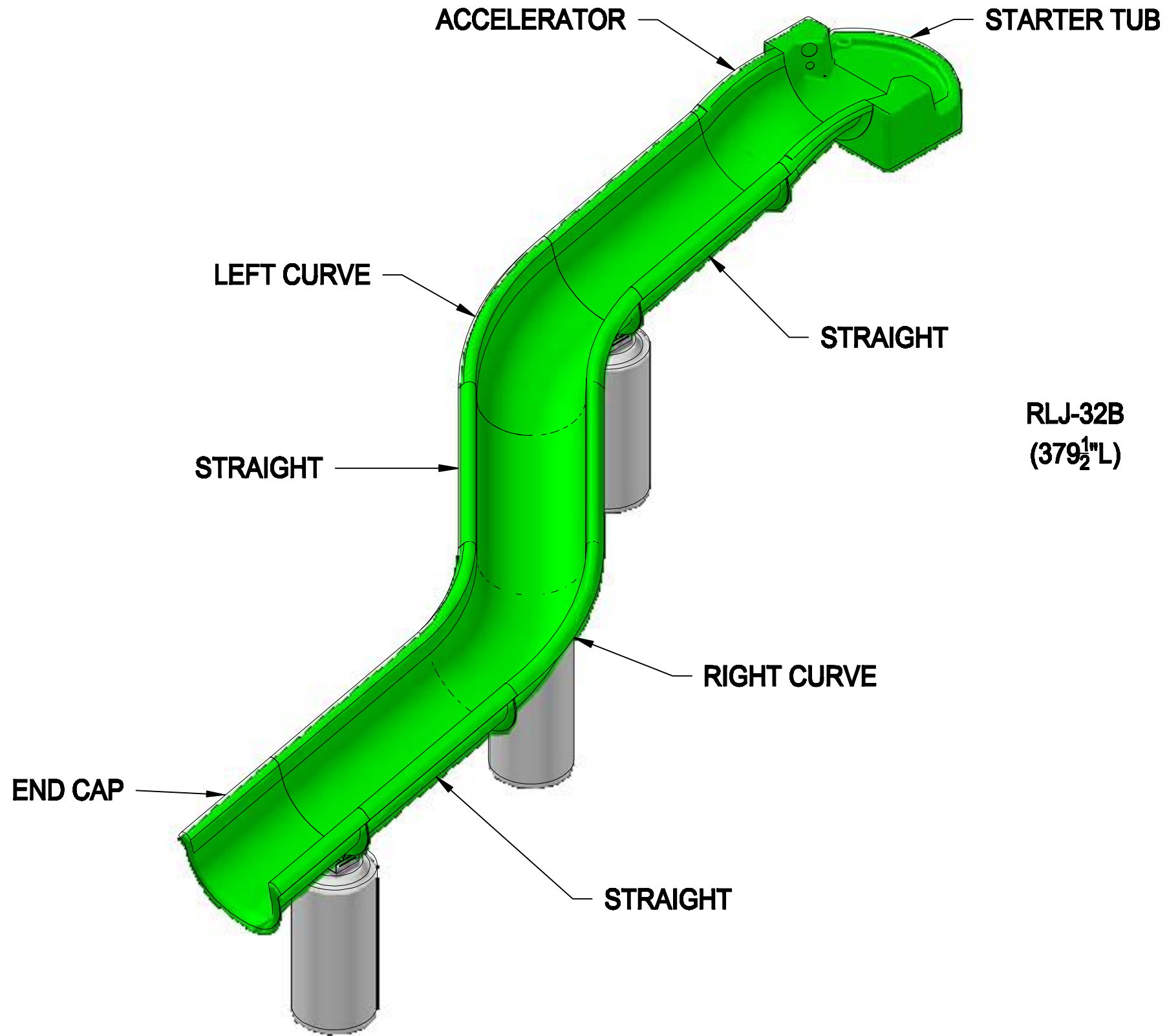


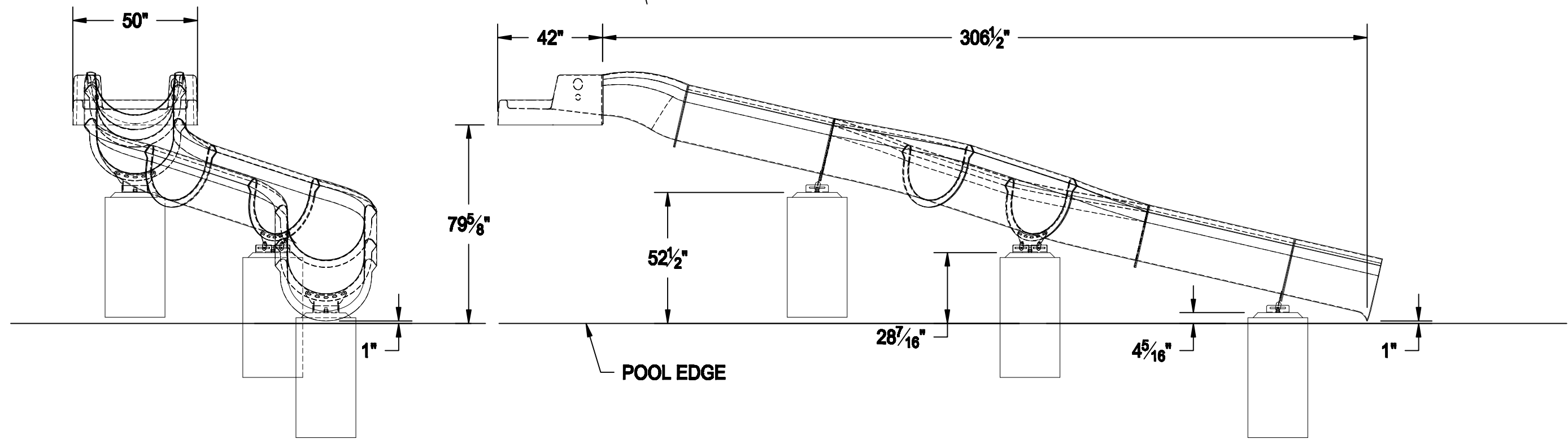
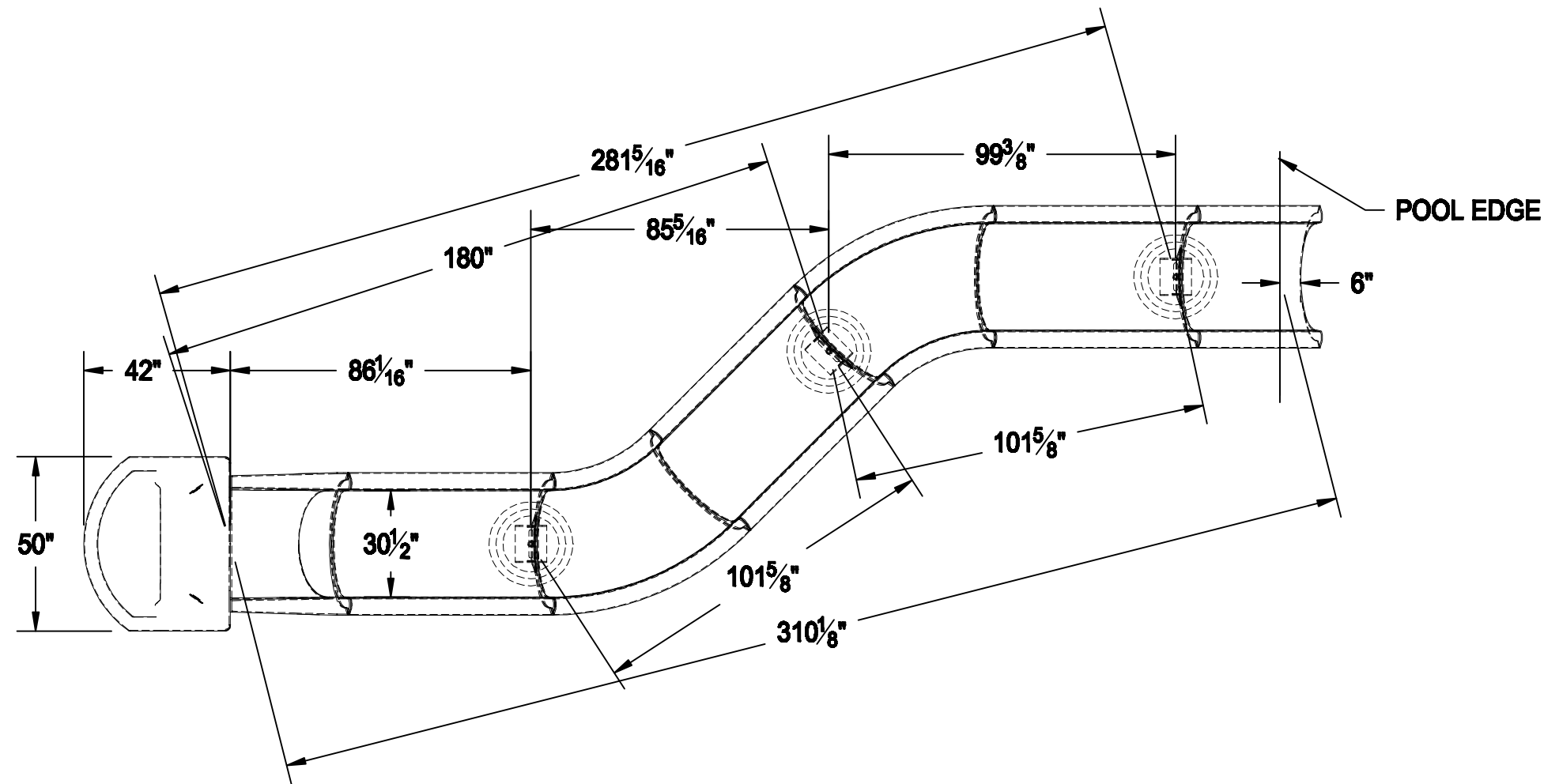


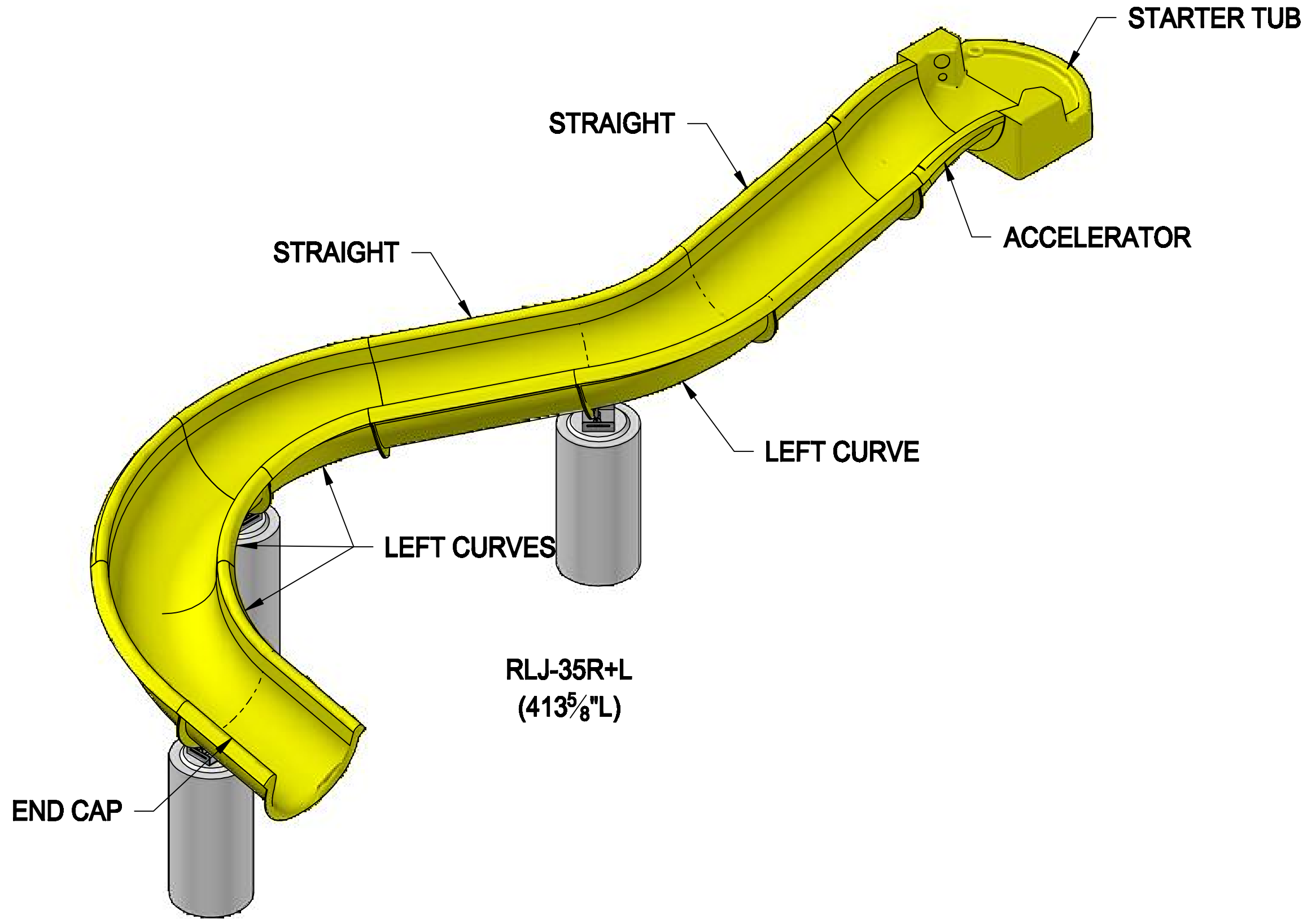


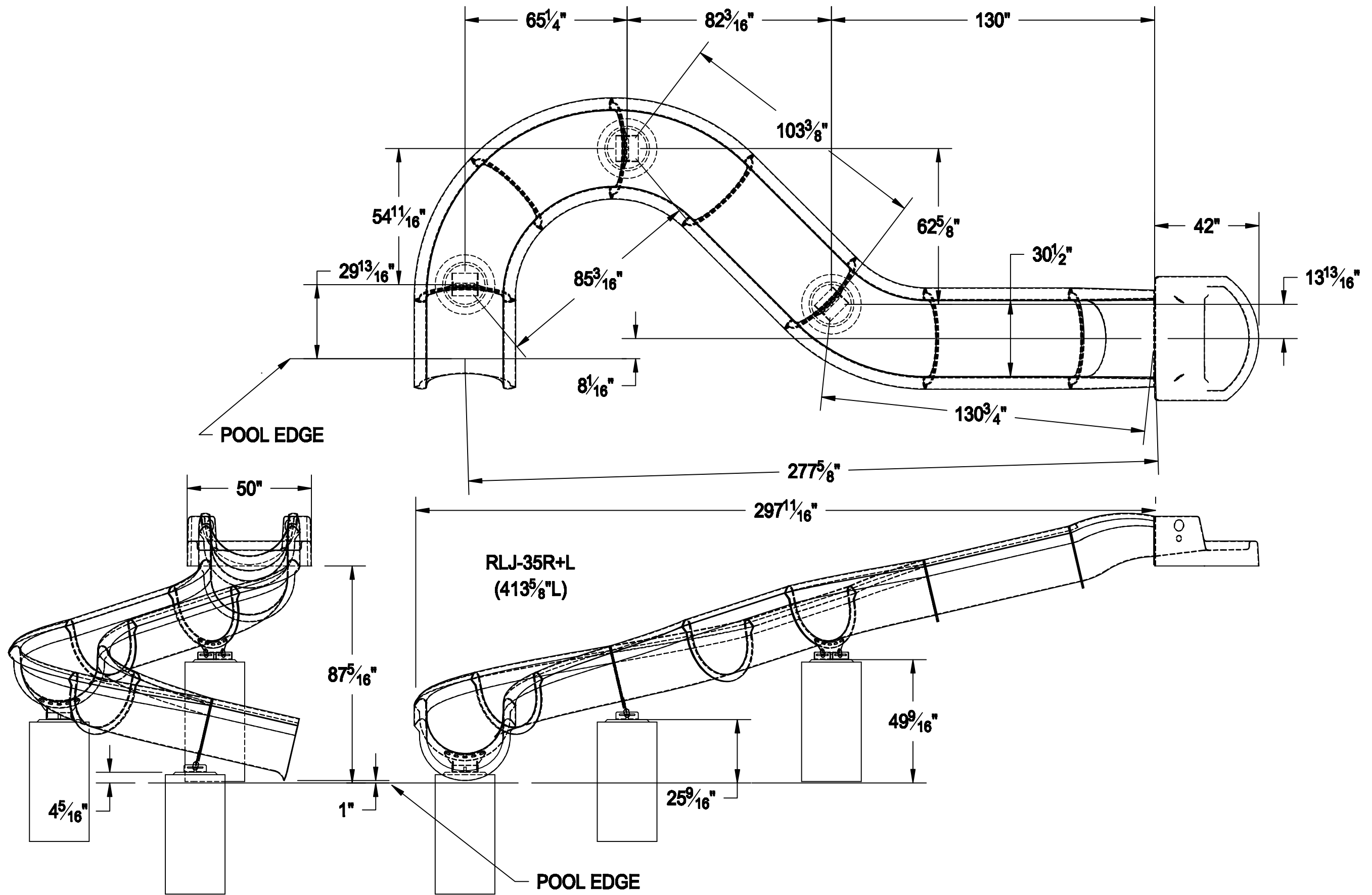


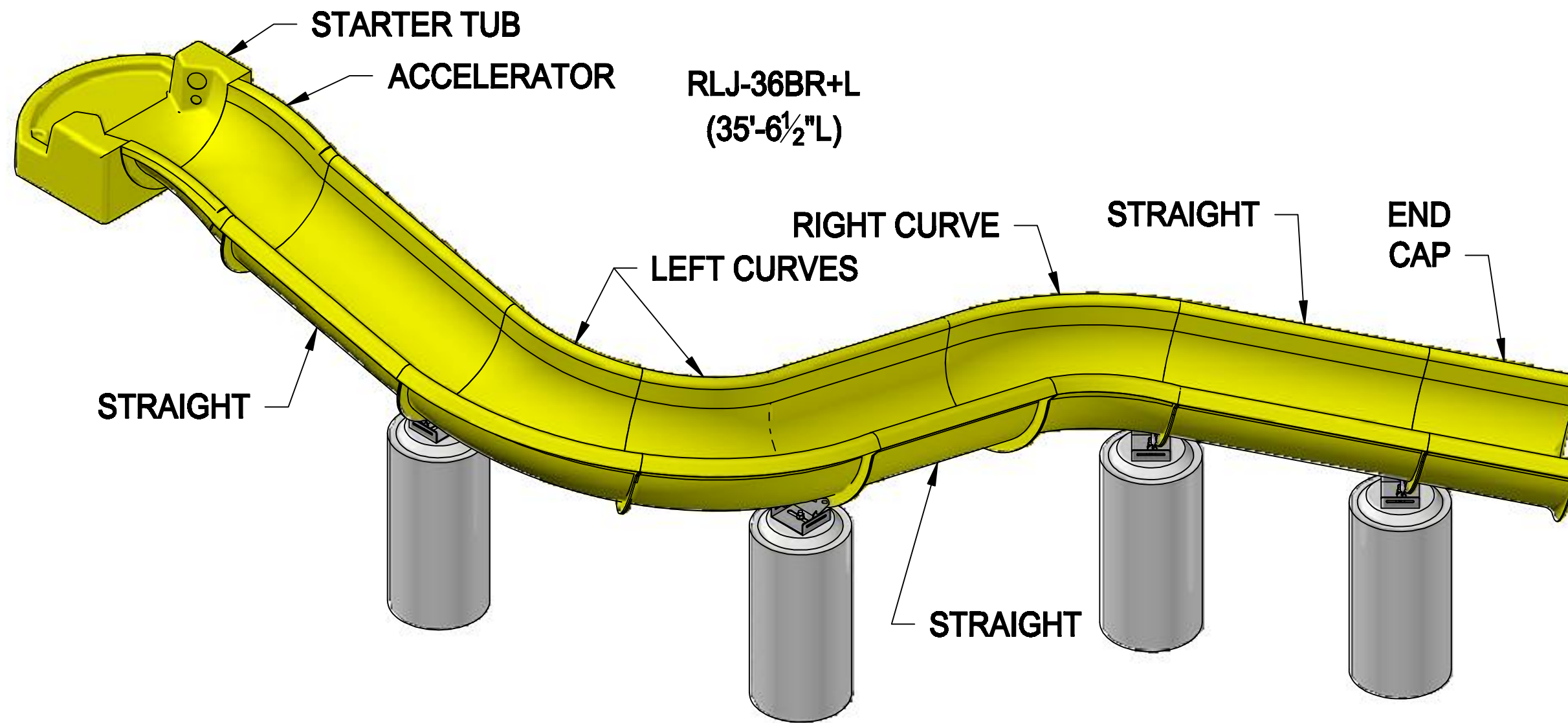


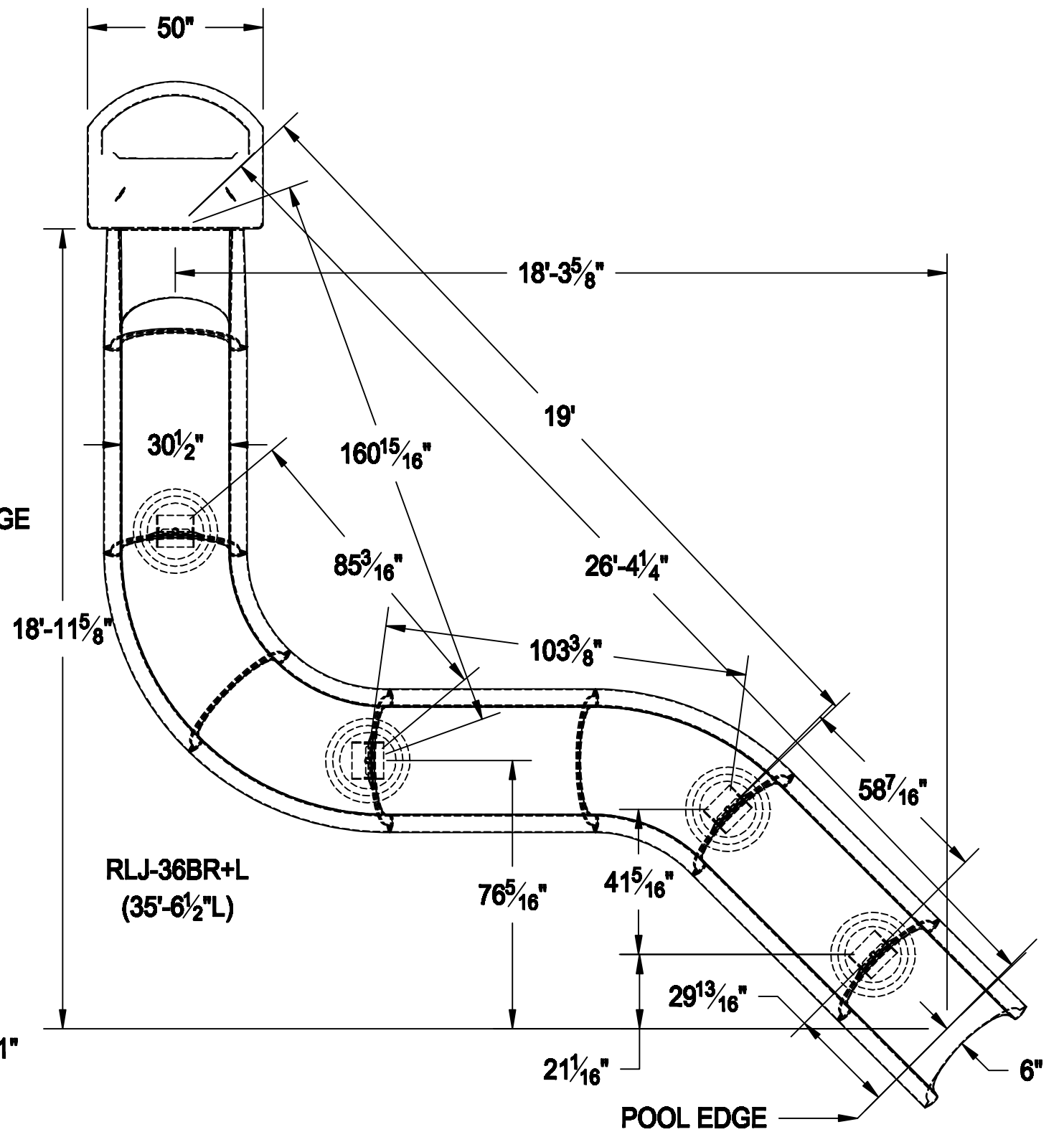
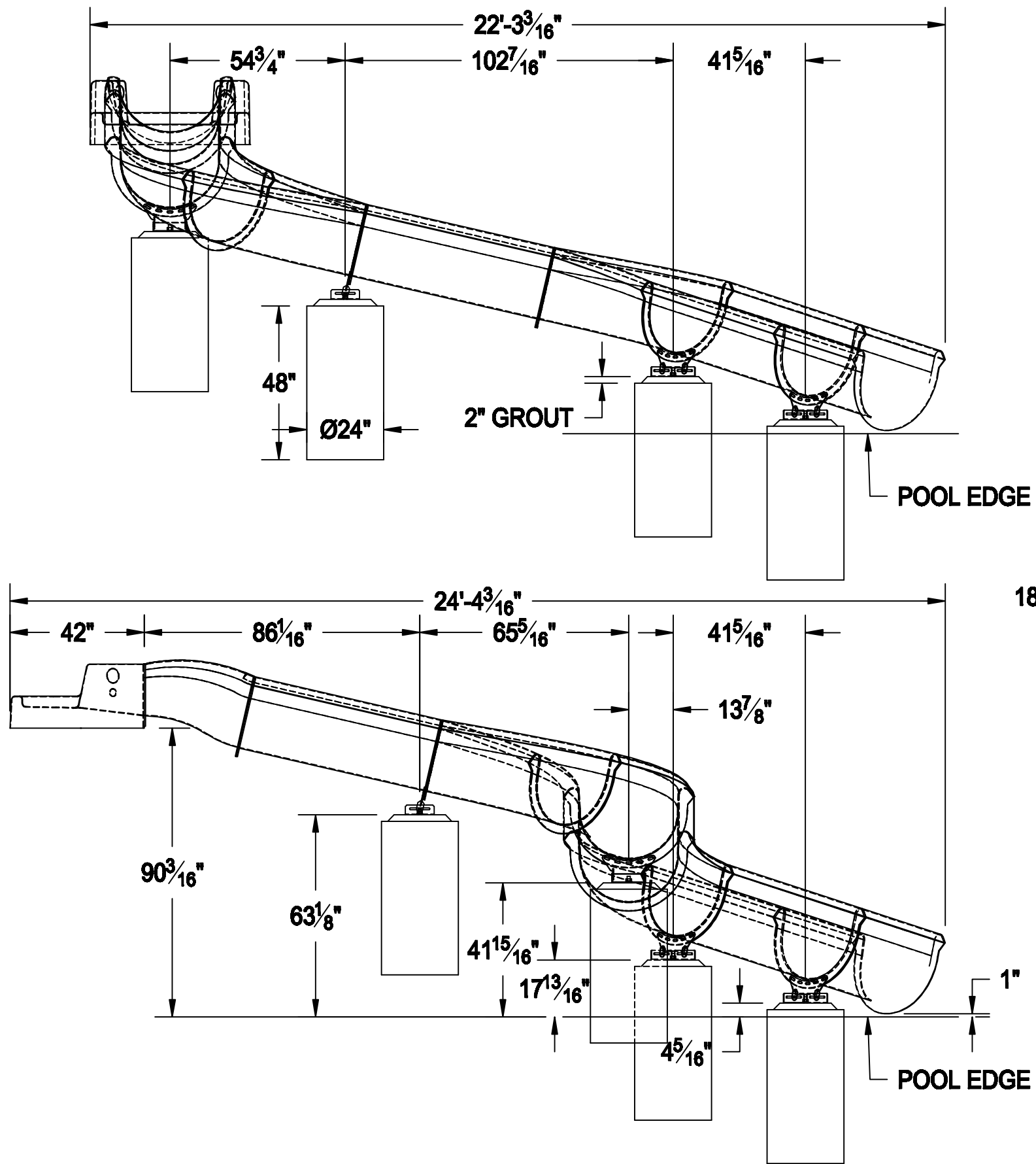


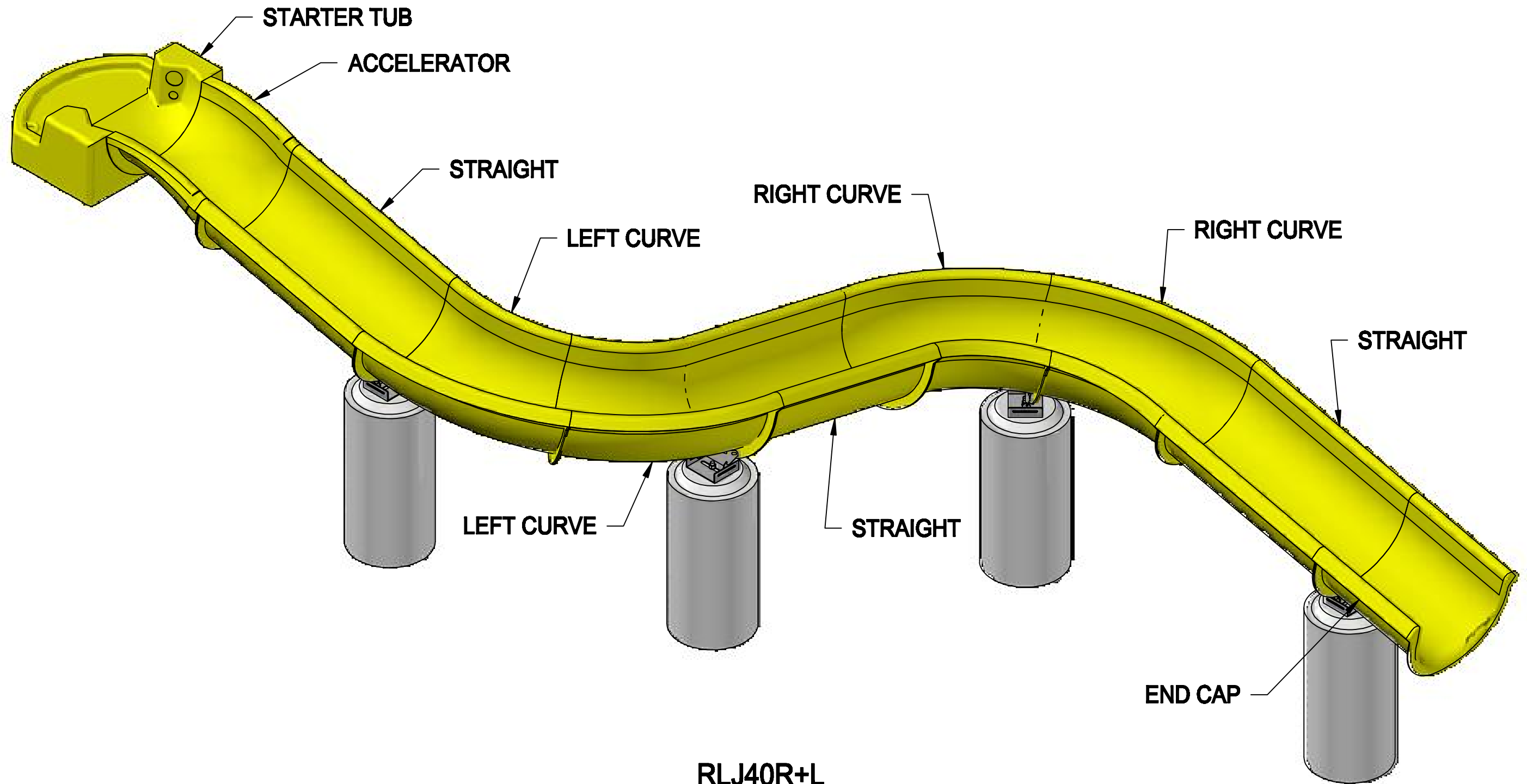




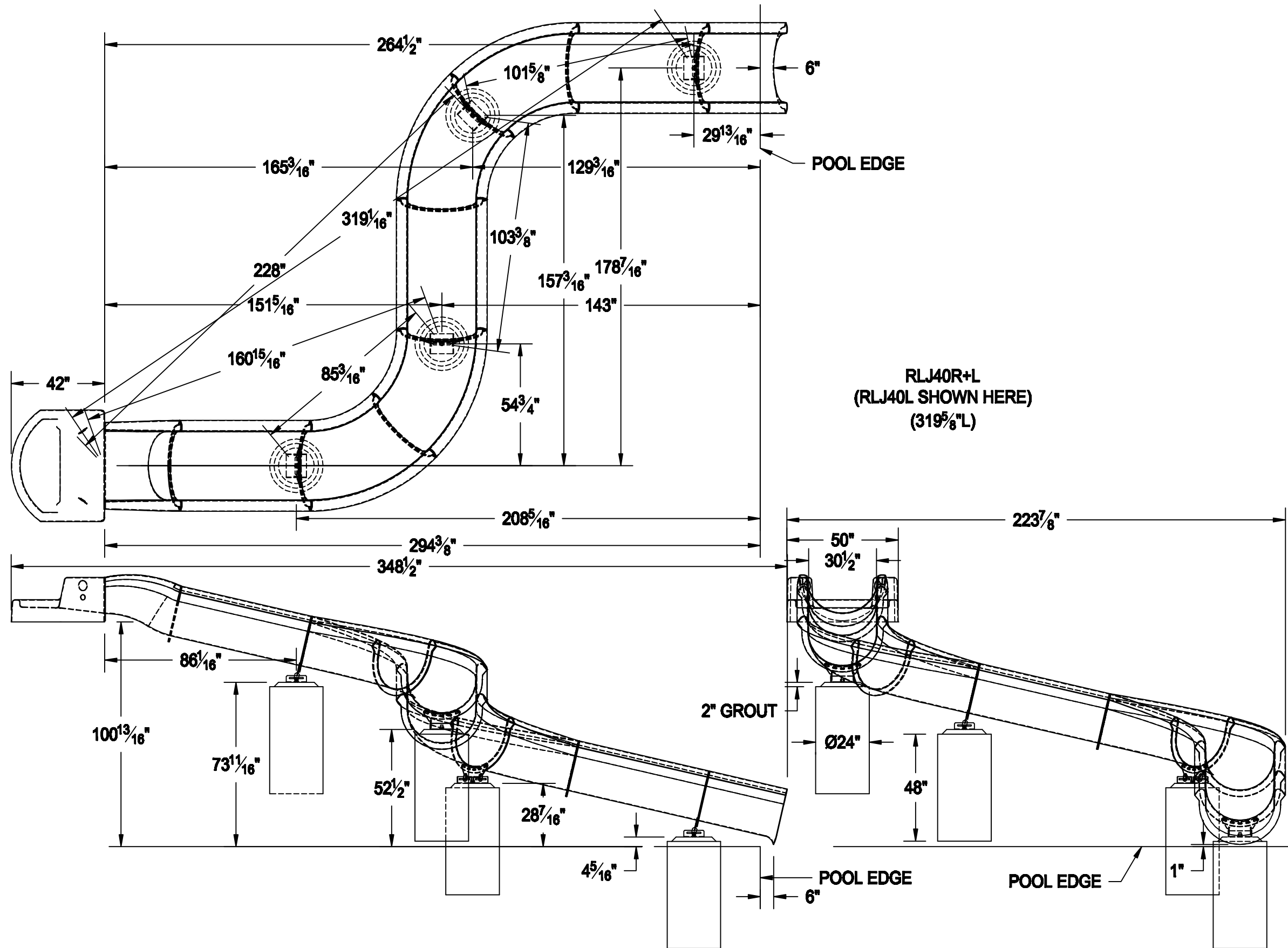








RLJ40R+L
(RLJ40L SHOWN HERE)
(473½"L)



STARTER TUB

ACCELERATOR

LEFT CURVE

RIGHT CURVE

STRAIGHT

RIGHT CURVE

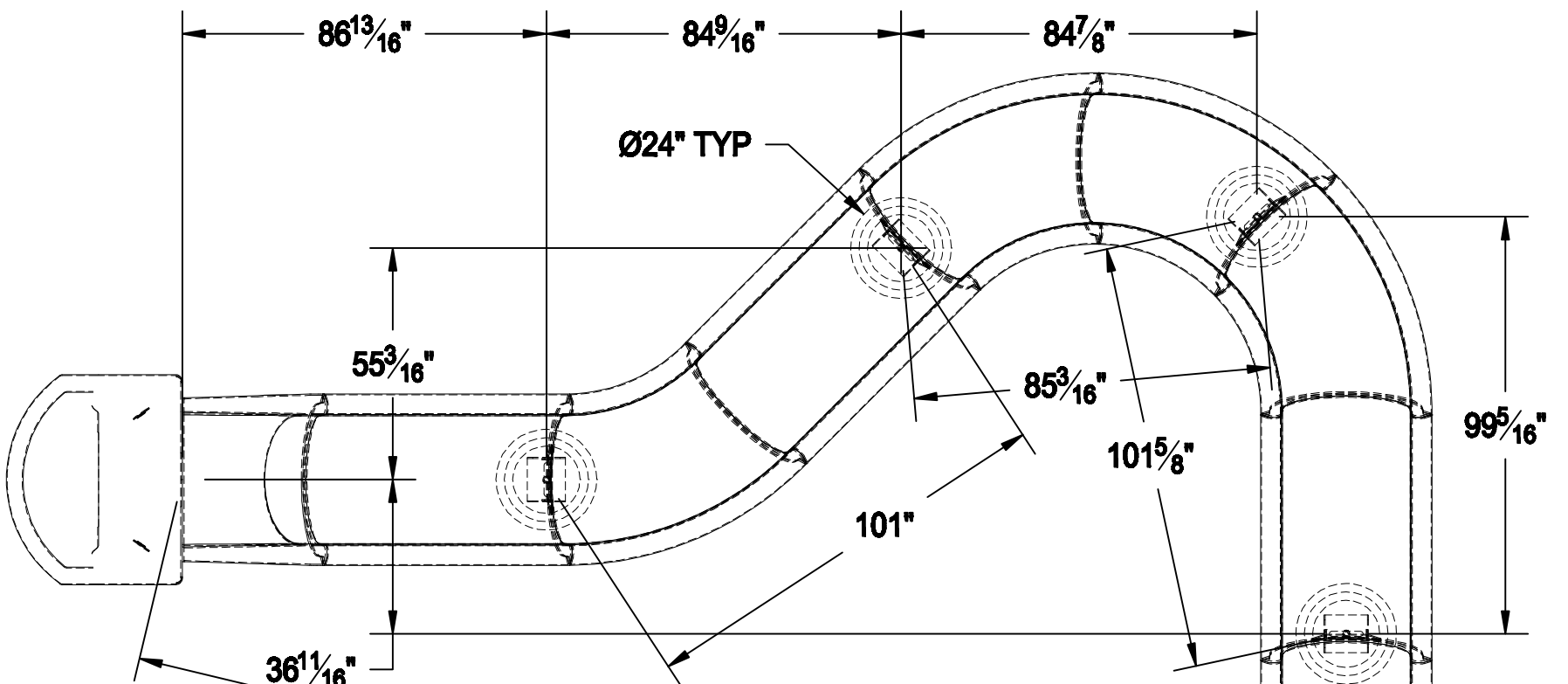
STRAIGHT

RIGHT CURVE

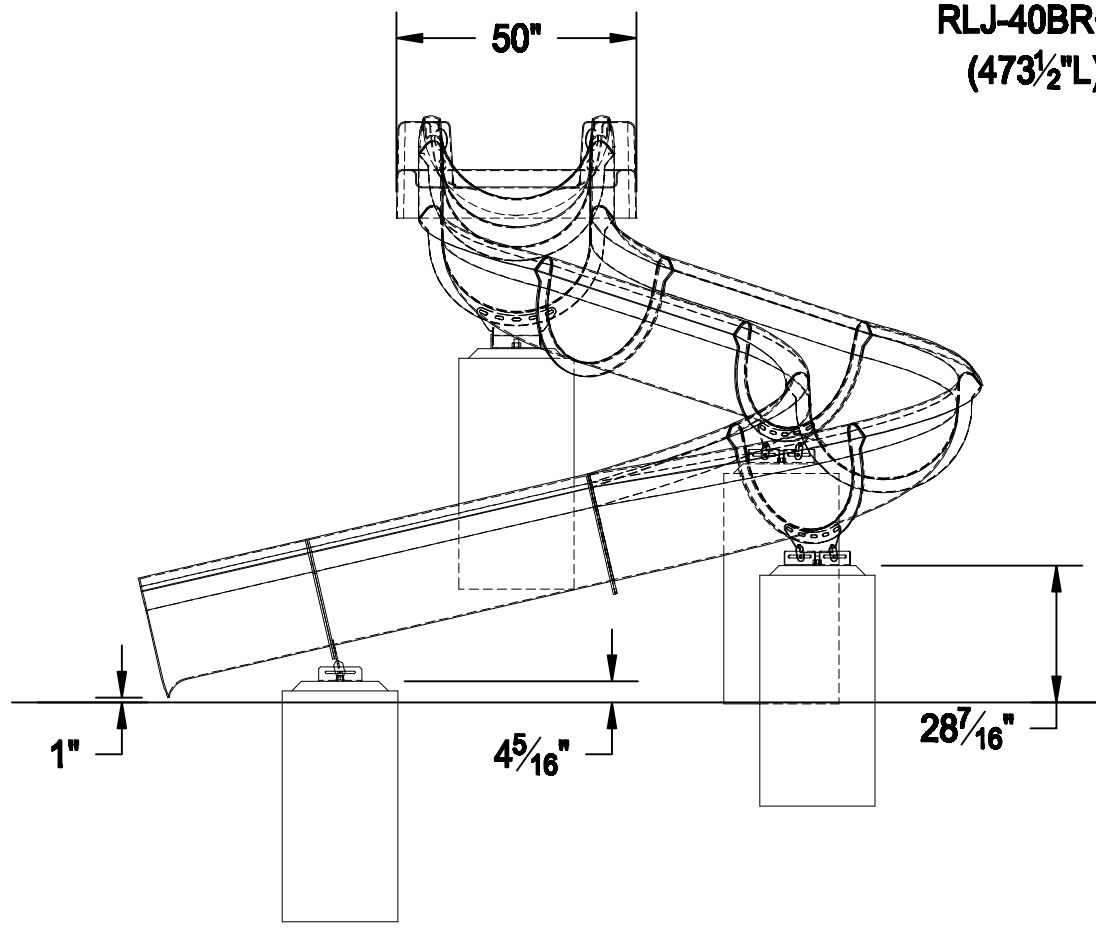
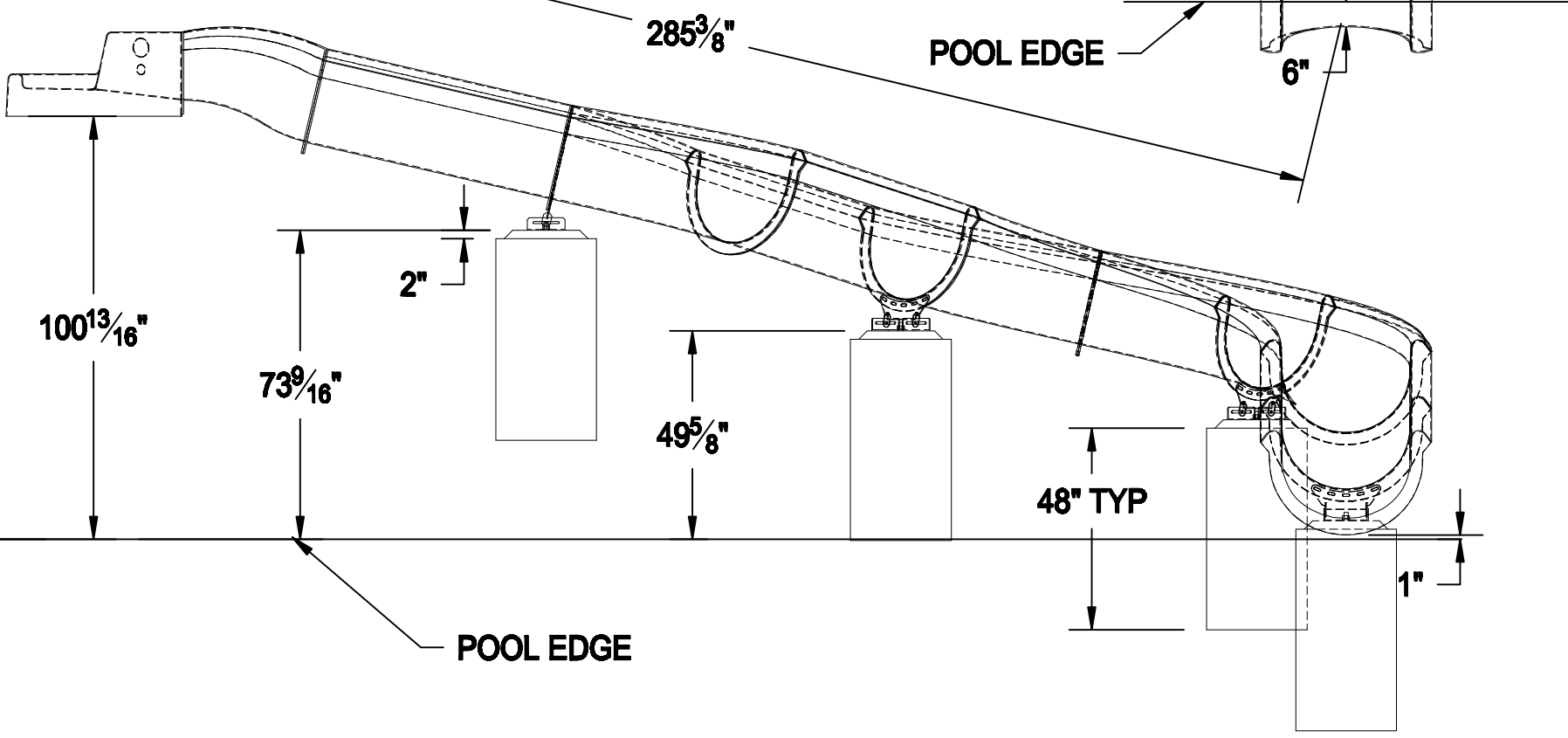
RLJ-40BR+L
(473½"L)

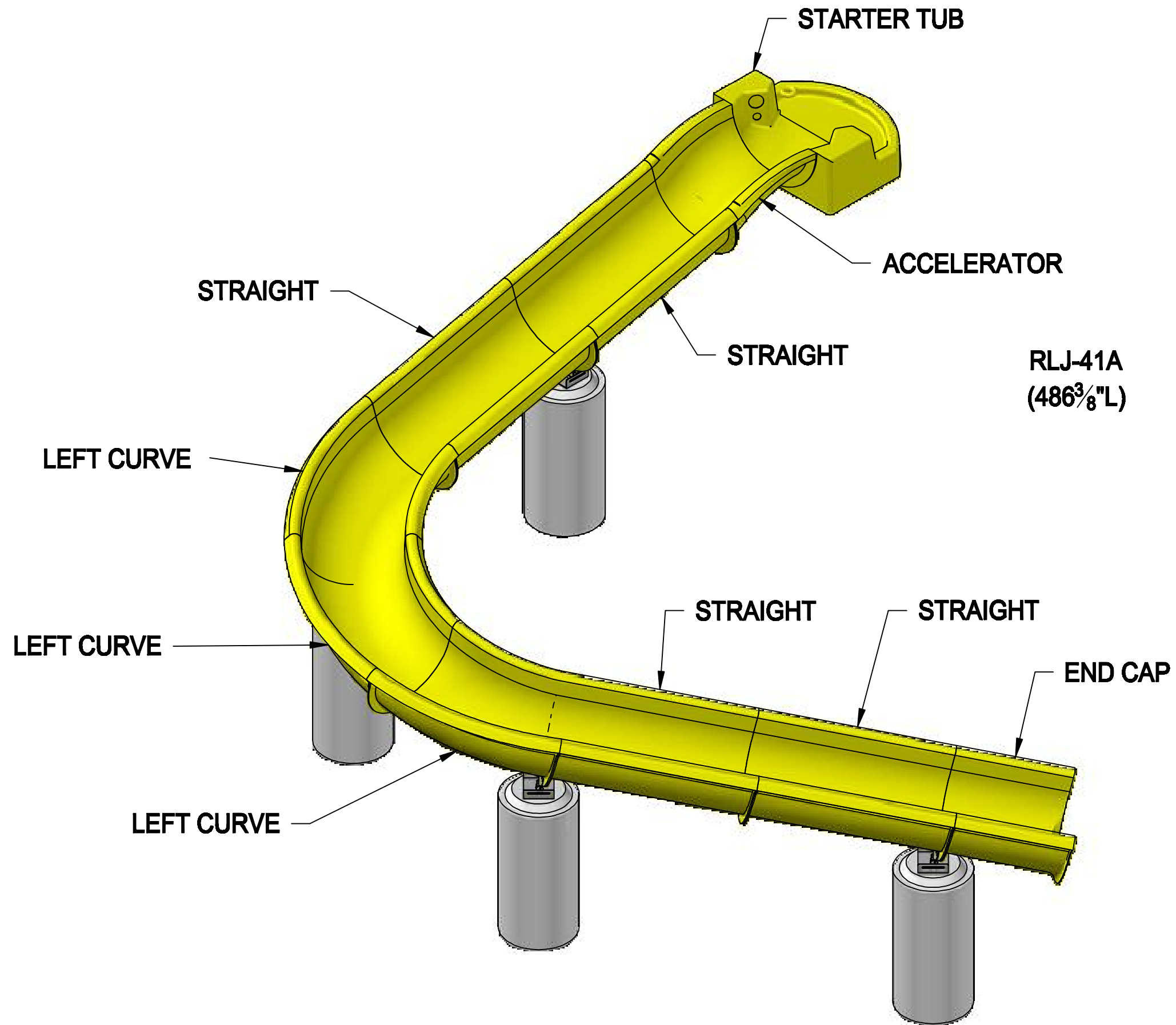
END CAP

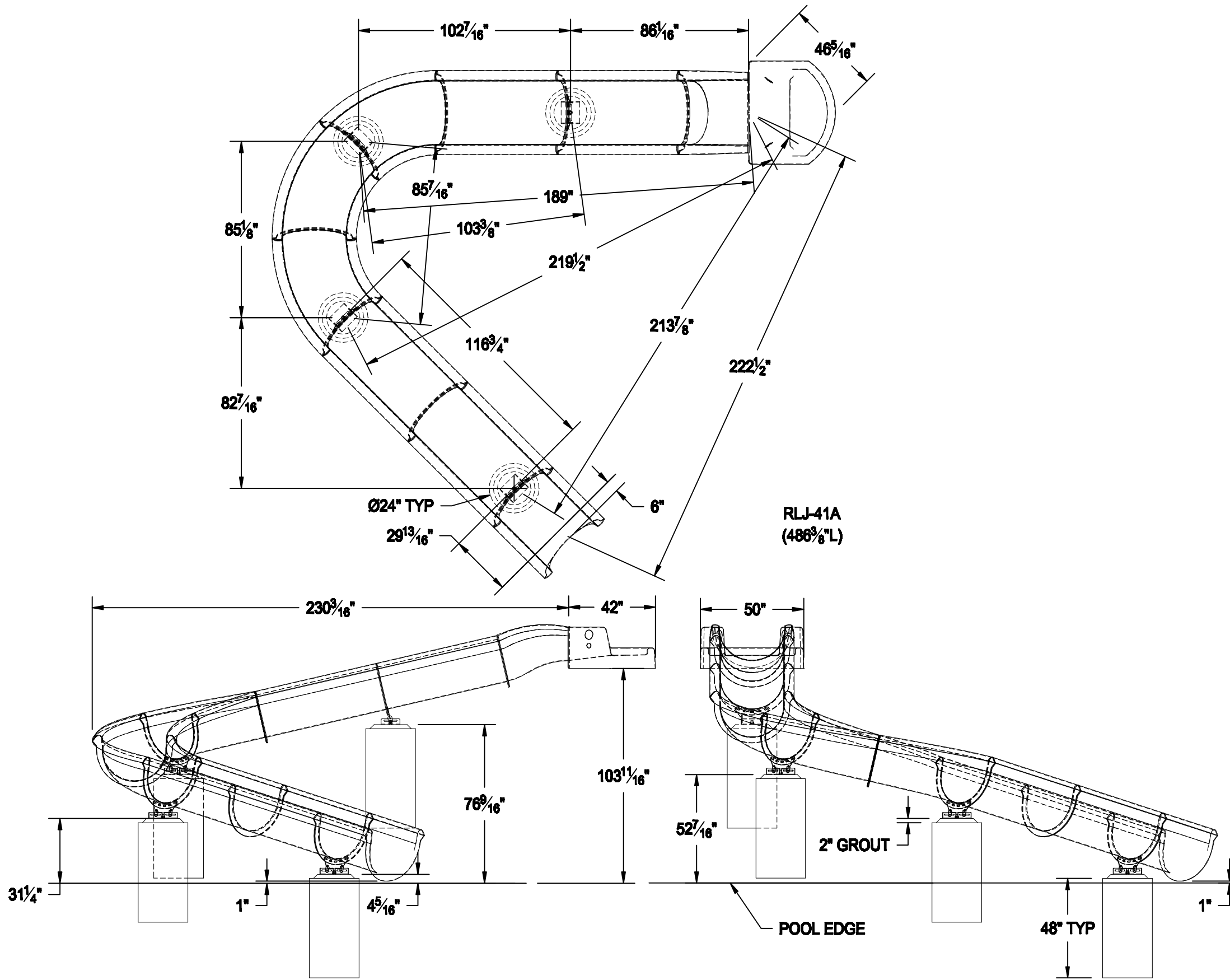
STRAIGHT

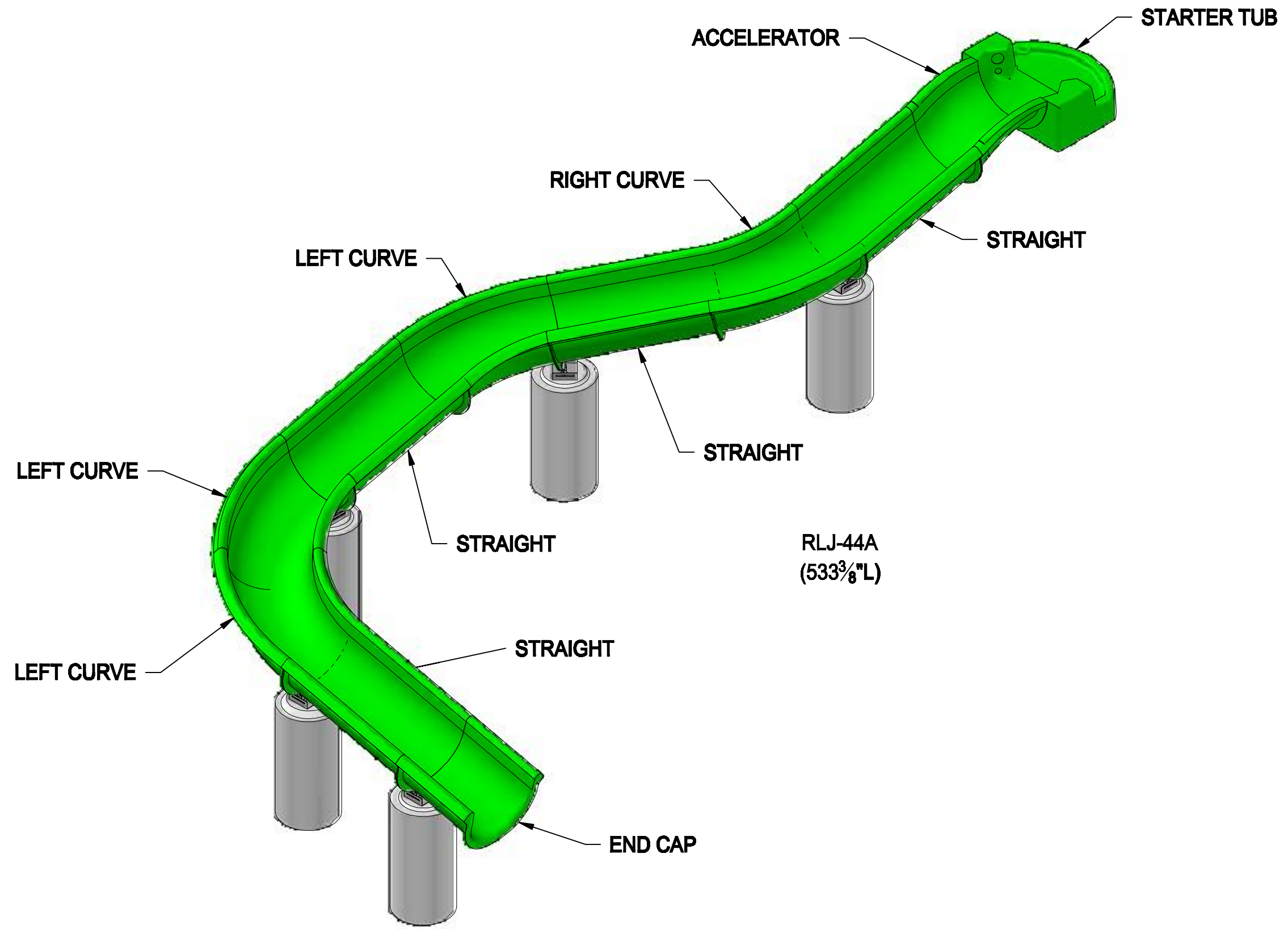


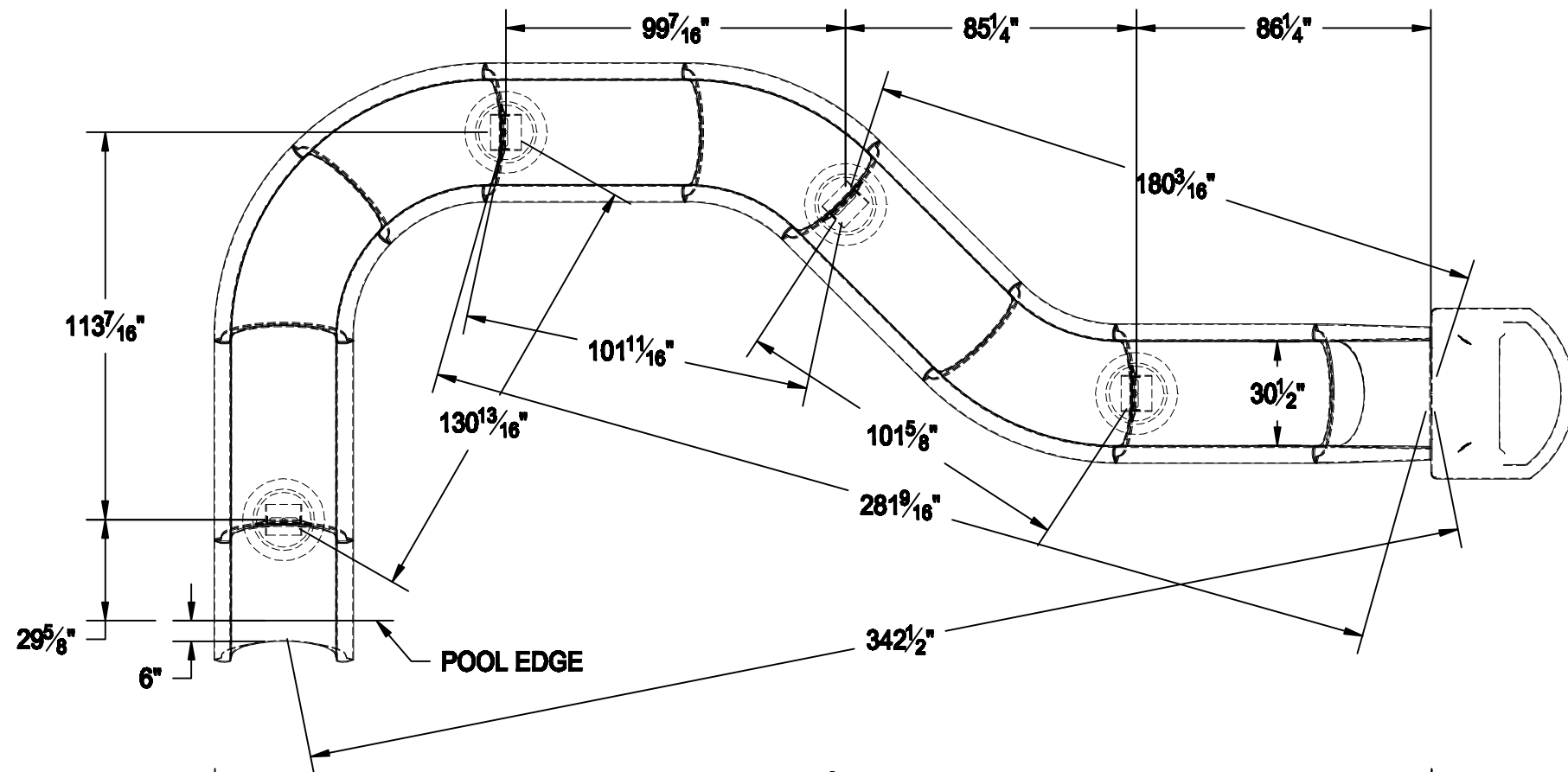
RLJ-40BR+L
(473½"L)



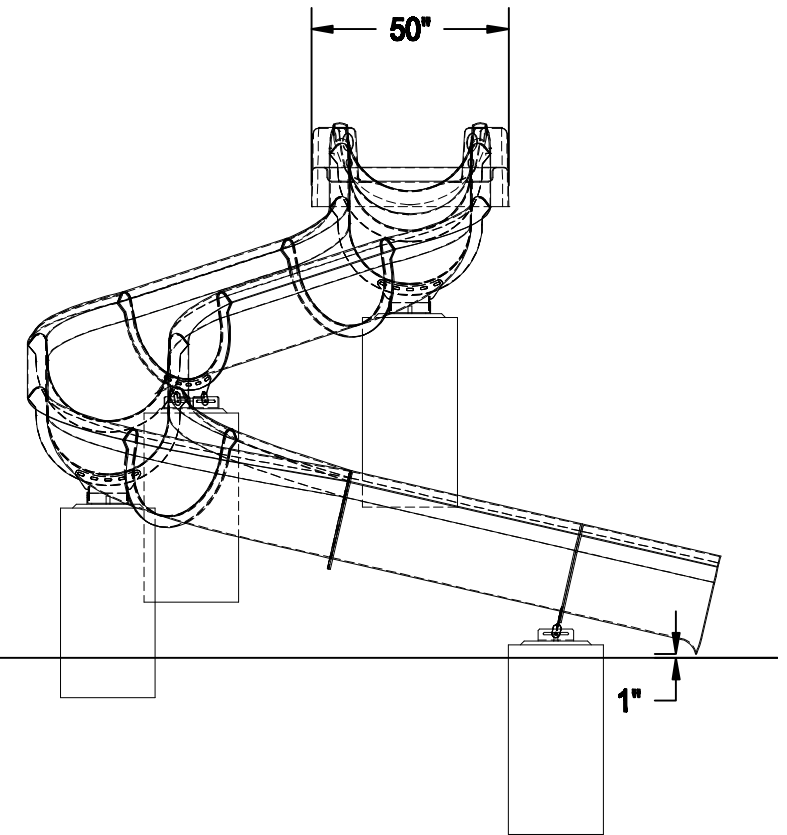
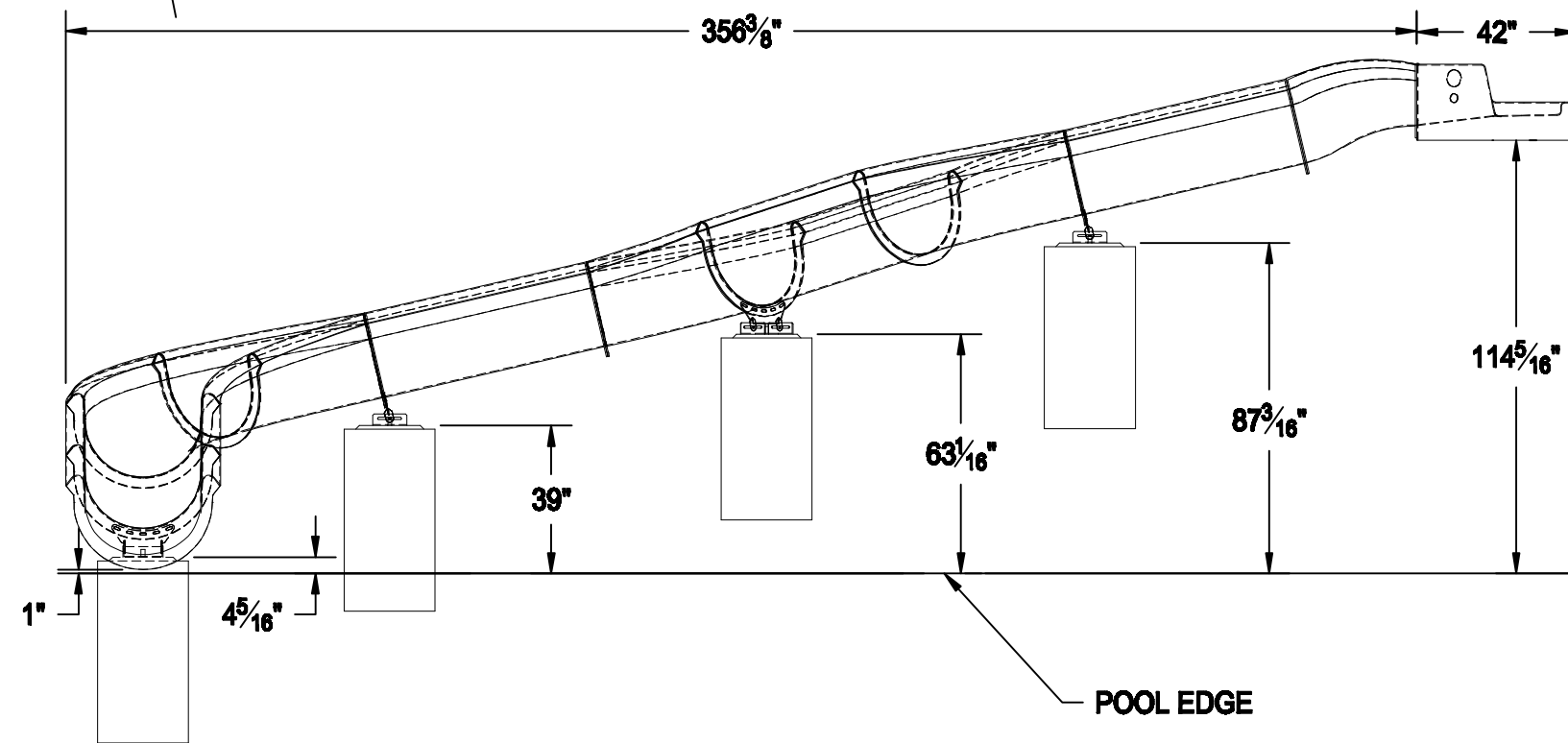


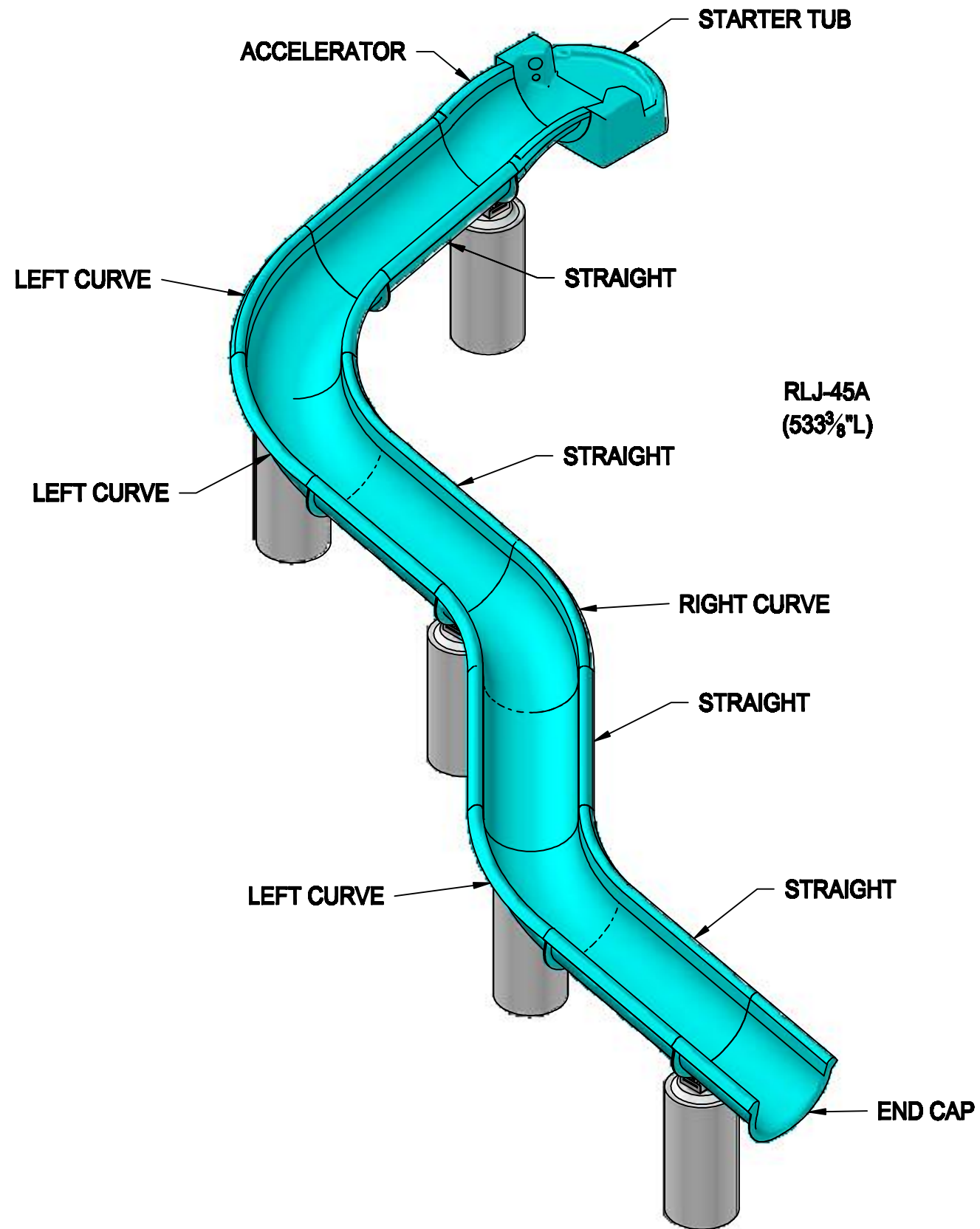


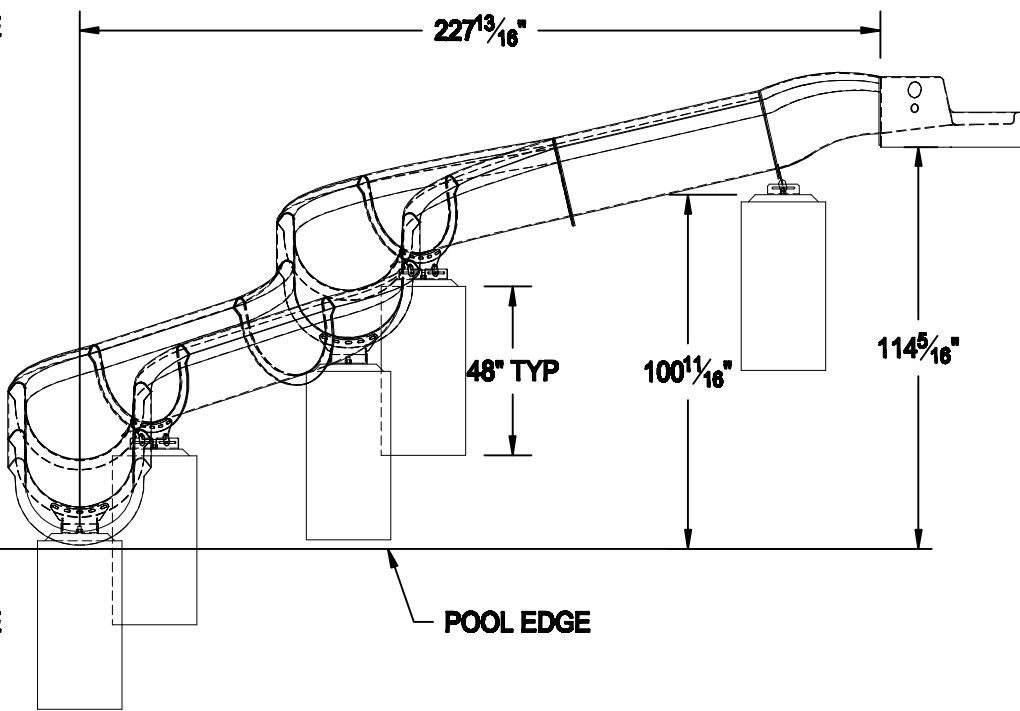
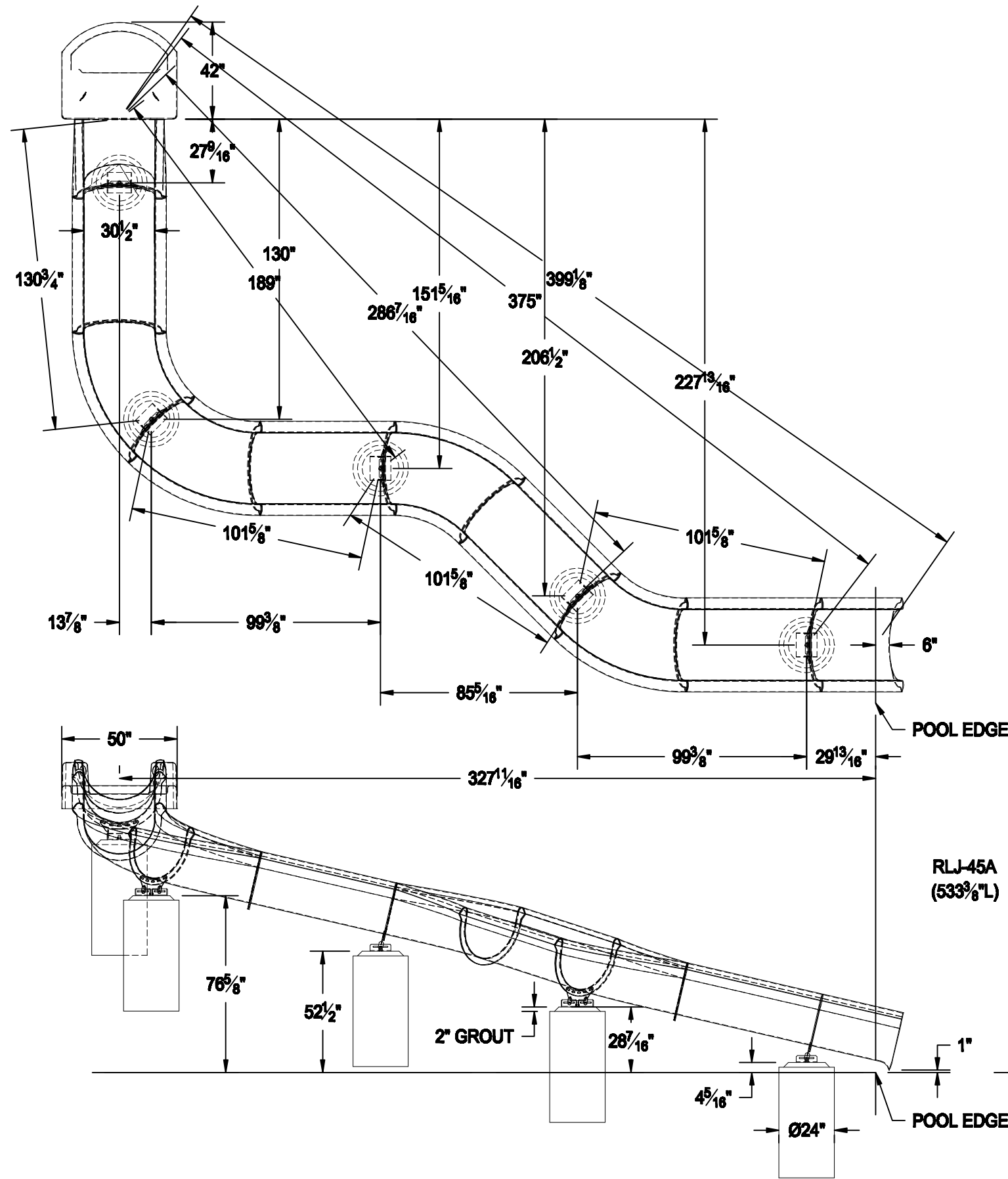


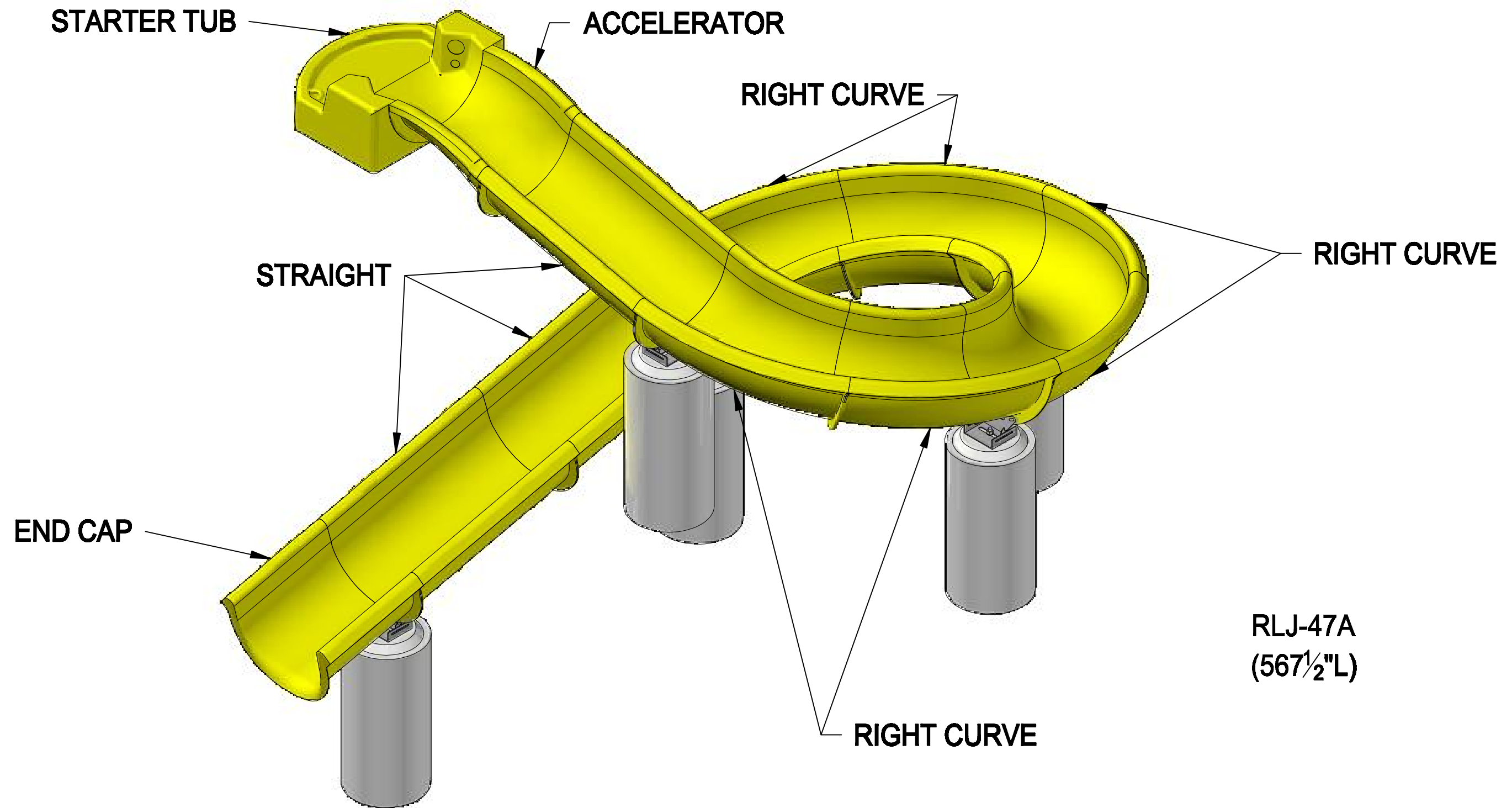


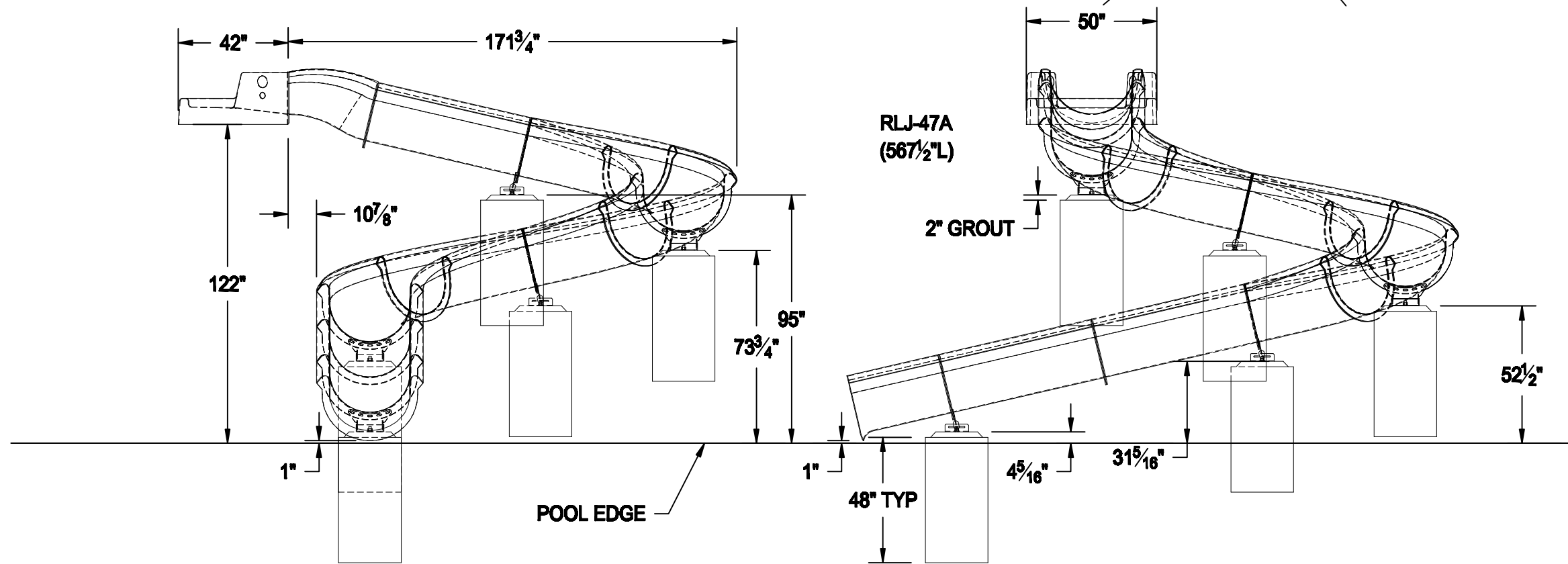
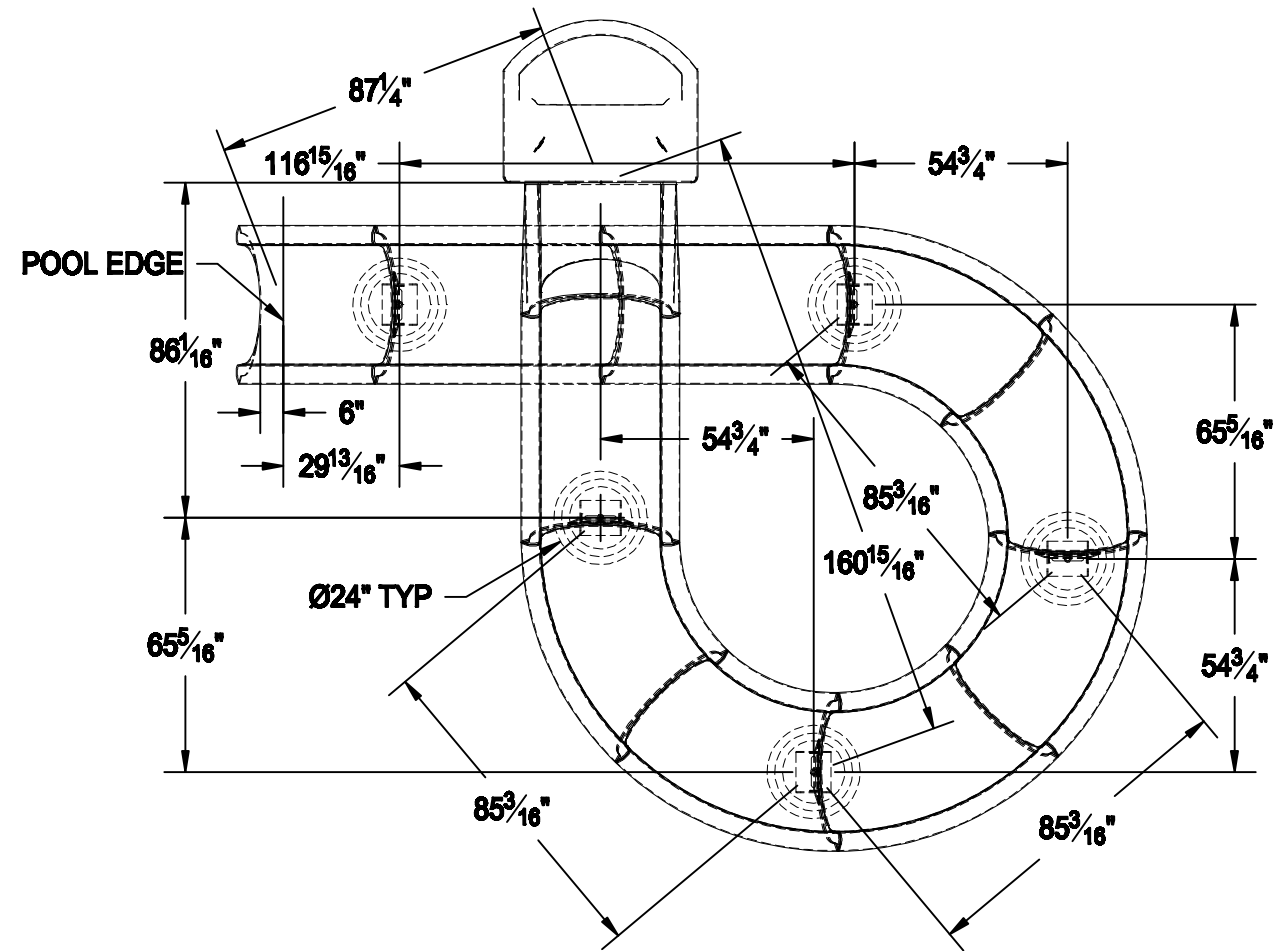
RLJ-44A
 (533 $\frac{3}{8}$ "L)

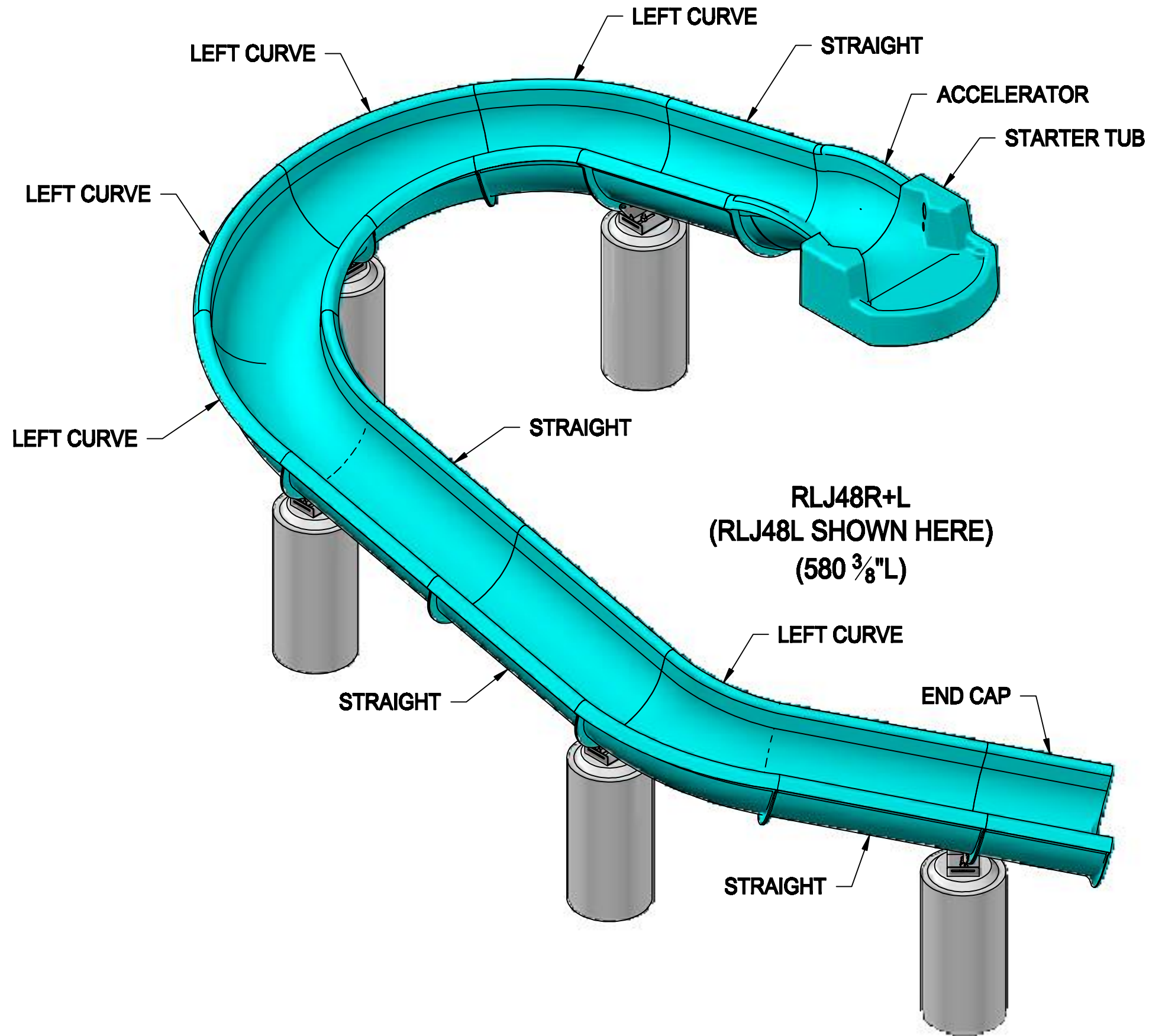


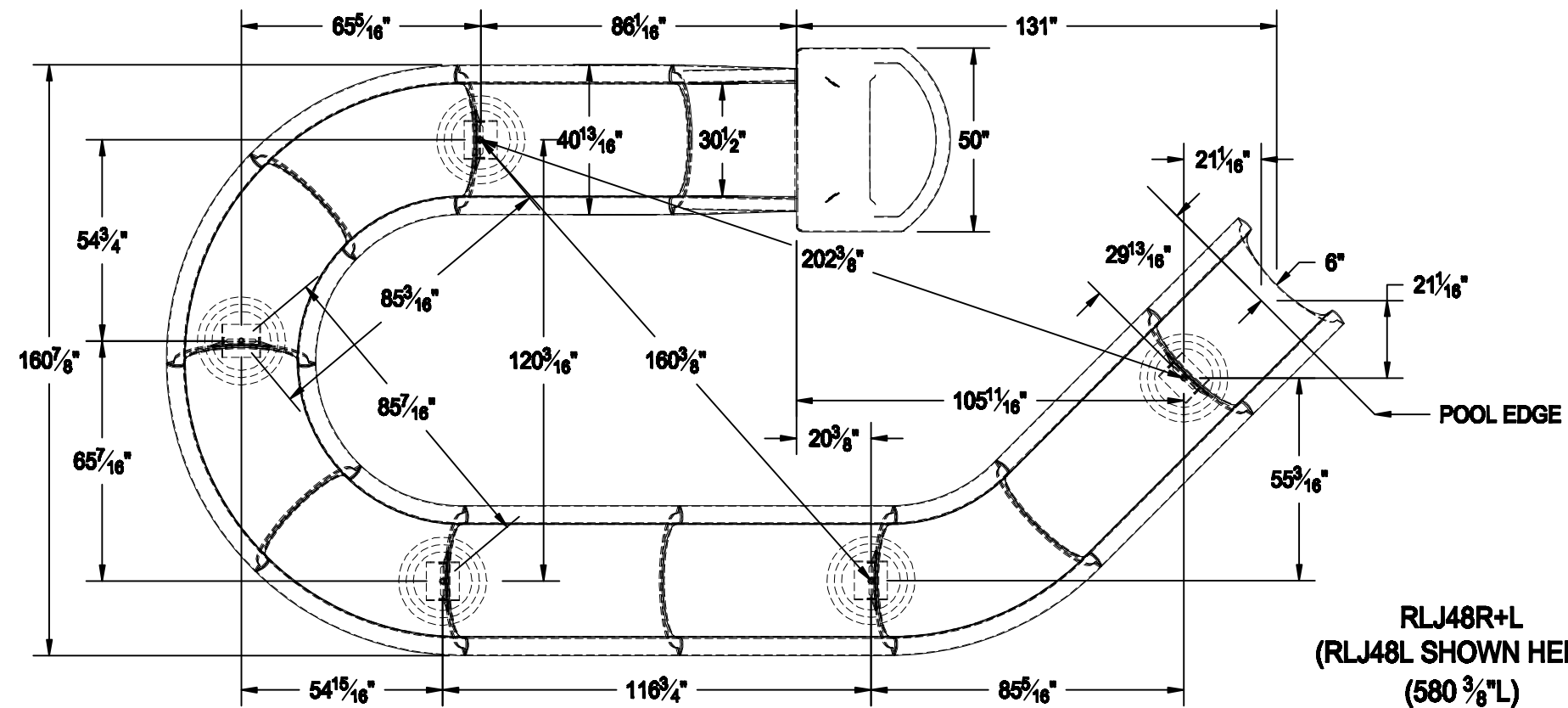












RLJ48R+L
(RLJ48L SHOWN HERE)
(580 $\frac{3}{8}$ "L)

